

FORM N: DETAILED SPECIFICATIONS 21005 (SECTION A)

INDUSTRIAL TRACTOR LOADER (74HP) STRAIGHT FRAME

1.0 INSTRUCTIONS FOR COMPLETION OF SPECIFICATIONS

- 1.1 All items in these specifications should be answered indicating compliance or non-compliance.
- 1.2 **Bidders shall state “yes” for compliance or state “deviation”**, or give a reply where requested to do so. Deviations and/or equivalents shall be clearly stated and fully detailed. Deviations and/or equivalents will be considered subject to evaluation. In every instance where a brand name or design specifications is used, the City will also consider deviations and/or equivalents.
- 1.3 Lengthy explanations of deviations may be included in a separate document and must reference the appropriate Detailed Specification.
- 1.4 Each Bidder is required to fill in every blank. Failure to do so may be used as a basis for rejection of bid.
- 1.5 It will be the responsibility of the Bidder to inform the City of any errors or omissions in these Detailed Specifications, for under this Contract, the Contractor shall be held responsible to ensure that the manufacturer will be responsible for the design, performance, reliability and satisfactory operational function of the unit.

2.0 DESCRIPTION OF EQUIPMENT

- 2.1 These specifications describe **Industrial Tractor Loader** and other equipment and features as specified herein.
- 2.2 The **Industrial Tractor Loader** shall be a new 2021 model year or newer.
- 2.3 The **Industrial Tractor Loader** and all other items/components shall be the manufacturer's latest model. The equipment shall be furnished complete and ready for operation. Any parts or accessories not specifically mentioned, but which are required to complete and place the equipment and associated attachments in successful operation shall be furnished as though specifically mentioned in these specifications. The equipment and associated attachments, and all parts thereof, shall conform in strength and quality of material and workmanship, to the best standards and engineering practice of the industry.
- 2.4 The **Industrial Tractor Loader** shall be the manufacturer's latest model, as may be modified by these specifications. The **Industrial Tractor Loader**, including all auxiliary equipment, shall be furnished complete and ready for use. All parts not specifically mentioned but which are required for the complete unit shall conform in strength, quality of material and workmanship, to the best standards and engineering practice in the industry.
- 2.5 The ratings specified herein merely state the minimum values acceptable to the City, not implying that those values are sufficient for the design of the particular equipment being bid.

3.0 OTHER SPECIFICATIONS AND STANDARDS

- 3.1 All applicable SAE Standards form an integral part of the vehicle specifications and shall have precedence in any conflict concerning minimum acceptable standards.
- 3.2 The **Industrial Tractor Loader** shall comply with the applicable regulations:

Transport Canada, National Safety Mark, NSM: <http://www.tc.gc.ca/eng/acts-regulations/acts-road.htm>

Manitoba Safety and Health Regulation, Parts 12, 16, 22: <https://web2.gov.mb.ca/laws/statutes/ccsm/w210e.php>

Canadian Motor Vehicle Safety Standards C.M.V.S.S. http://laws-lois.justice.gc.ca/eng/regulations/C.R.C.,_c._1038/section-sched3.html

Manitoba Highway Traffic Act regulations and requirements including, but not limited to, a Manitoba Government Inspection with Safety Sticker. <http://web2.gov.mb.ca/laws/regs/index.php?act=h60>

Canadian Standards Association, CSA: <http://www.csagroup.org/>

Under Writers of Canada, U/L: <http://www.ulc.ca/>

Society of Automotive Engineers, SAE: <http://www.sae.org/>

City of Winnipeg Lighting Visibility Standard: <http://winnipeg.ca/matmgt/pdfs/PublicWorksEquipLightingVisibility.pdf>

Manitoba Building Code: <https://web2.gov.mb.ca/laws/regs/current/pdf-regs.php?reg=31/2011>

- 3.3 All welding and welding designs of the load supporting elements shall conform to the requirements of the Canadian Standards Association Standard (CSA) W47.1-03 and W59-03.

4.0 REFERENCES

- 4.1 Provide five (5) references where this equipment is used in a working environment where climatic conditions are similar to the City of Winnipeg.

5.0 MAKE & MODEL

- 5.1 State year, make and model being bid: _____

6.0 PERFORMANCE RELIABILITY

- 6.1 The responsibility for the design of the **Industrial Tractor Loader**, its performance and reliability shall rest upon the Contractor.

- 6.2 The term “repeated failures” as used herein is defined to mean that the same component, subassembly, or assembly develops repeated defects, breakdowns and/or malfunctions rendering the vehicle inoperative, or requiring repeated shop correction, service and/or replacement during the warranty period applicable for said component, subassembly, of assembly. Minor items or ordinary service adjustments are not included, or considered under the scope of “repeated failures”, as well as other factors, such as operational damage due to accidents, misuse or lack of proper maintenance, service and lubrication attention by not following the manufacturer’s preventative maintenance schedule.

- 6.3 Where the **Industrial Tractor Loader** develops “repeated failures” in service, the Contractor shall make any necessary engineering changes, repairs, alterations or modifications in order to guarantee reliability of performance.

- 6.4 The equipment shall be capable of consistent top performance in City of Winnipeg Environment. Note: The City of Winnipeg has four seasons with ambient temperatures ranging from approximately 90°F (32°C) to -40°F (-40°C).

7.0 FUEL

- 7.1 Where applicable, all equipment must be fully fueled upon delivery (no exceptions).

8.0 QUALIFICATIONS OF MANUFACTURER & CONTRACTOR

- 8.1 The manufacturer of the **Industrial Tractor Loader** shall have five (5) years continuous experience manufacturing the equipment.

- 8.2 The manufacturer shall have in effect a documented quality control program ensuring that the quality of materials and workmanship, including welding, conforms to the best standards and engineering practice of the industry.

- 8.3 The Contractor shall have five (5) years continuous experience servicing, repairing and maintaining **Industrial Tractor Loader** of the type being offered.

9.0 SPECIFICATIONS:

ENGINE

9.1	Engine make & model	State	_____
9.2	Engine specification	Diesel, Emissions Tier IV Diesel Interim or Final, must meet current Emission Standards.	_____
9.3	Horse Power	Approx. Net 74 hp. state.	_____
9.4	Torque	Net torque, state.	_____
9.5	Engine aspiration	State.	_____
9.6	Fuel shut off	Electric solenoid type.	_____
9.7	Fuel Filter	With water separator.	_____
9.8	Oil filter	Full flow, spin-on type.	_____
9.9	Air cleaner	Dry cartridge type with dash mounted restriction indicator.	_____
9.10	Throttle	Hand operated with foot override.	_____
9.11	Exhaust	Muffler, vertical discharge with bend and 40° cut-off (rain cap unacceptable)	_____
9.12	Coolant	Extended life, protected to -40°C.	_____
9.13	Engine block heater	Approx. 750 Watts, 120VAC.	_____
9.14	Cold weather starting aid	Glow plugs or air intake warmer, state type.	_____
9.15	Front radiator guard	Made from steel and painted, protects radiator from rocks and debris when using the front loader. Designed to permit servicing of radiator without being removed.	_____
9.16	Fuel tank	State capacity.	_____

ELECTRICAL/ LIGHTING/ SAFETY

9.17	Type	12-Volt, negative ground electrical system.	_____
9.18	Electric starter	With key starter switch.	_____
9.19	Batteries	Dual batteries, 1600CCA combined capacity.	_____
9.20	Battery disconnect switch (lockable)	Protected from the elements. Switch to be lockable with pad lock.	_____
9.21	Alternator	Approx. 100 Amp, state capacity.	_____
9.22	Combined stop and tail lights	Two (2).	_____

9.23	Signal lights with warning flashers	Two (2) front and two (2) rear.	_____
9.24	Warning flashers	Operable with key removed.	_____
9.25	Headlights	Two (2).	_____
9.26	Working lights	Front- four (4) front mounted, adjustable, located immediately below cab roof line.	_____
		Rear-four (4) rear mounted, adjustable, located immediately below the cab roof line.	_____
		Side-two (2) side mounted, located immediately below cab roof line.	_____
9.27	Light switches	Independent on/off switch for each pair of work lights, dash mounted and wired through ignition, labeled with permanent type, engraved style labels.	_____
9.28	Cab interior light	Interior light with door switch(s) and master switch.	_____
9.29	Radio	AM/FM/CD or MP3.	_____
9.30	Radio installation provision	12 volt, 20Amp independent circuit available at a spare circuit breaker, suitable for installation of a 2-way mobile radio.	_____
9.31	Horn	Operable from driving position and from backhoe position.	_____
9.32	Safety lighting (beacon)	Make and Model: Whelen L31 Series Super-LED, SAE Class 1 Blue/Amber (individual control) beacon, 360 degree visibility. Wired through ignition, lights shall be wired for separate amber and separate blue labelled independently "winter", "off", "summer". The winter mode will turn on both blue and the summer will only turn on the amber lights.	_____
9.33	Flashing backup lighting	Make and model: Grote 77461or Whelen TIR3 (clear). Wired to flash when the unit is in reverse.	_____
9.34	Beacon guard	Ramped, heavy duty bolt-on metal guard, designed to permit servicing of beacon without being removed.	_____
9.35	Back-up alarm	97 dB, factory installed, mounted to be protected from damage.	_____

9.36 Wiring All locally installed accessories shall be color coded, loomed and properly secured. Splicing in any factory harness is unacceptable. All electrical power for locally supplied electrical components to be supplied from an OEM power distribution box. All joining of wires and electrical connectors shall be soldered and sealed with heat shrink tubing. All wiring for work lights and warning lights shall be supplied with no exposed wiring. _____

9.37 LED lighting All lighting LED, **state**. _____

9.38 Slow moving sign Grote 71152 with bracket mounted to rear of the unit. _____

TIRES, RIMS, FENDERS

9.39 Front tires Michelin or Bridgestone radial or bias, **state**. _____

9.40 Ply rating **State** ply rating. _____

9.41 Tread R4, industrial tractor. _____

9.42 Rear tires 19.5L x 24, Michelin or Bridgestone radial or bias, **state**. _____

9.43 Ply rating **State** ply rating. _____

9.44 Tread R4, industrial tractor. _____

9.45 Fenders Front and rear, rubber or polymer, **state**, material. _____

AXLES & BRAKES

9.46 Front axle Driven type (4WD) with guarded drive shaft (limited slip differential). _____

9.47 Rear axle Differential lock, push button activation. _____

9.48 Brakes Wet disk type with individual pedals simultaneous or independent operations. _____

9.49 Parking brake Foot or hand operated, **state** type. _____

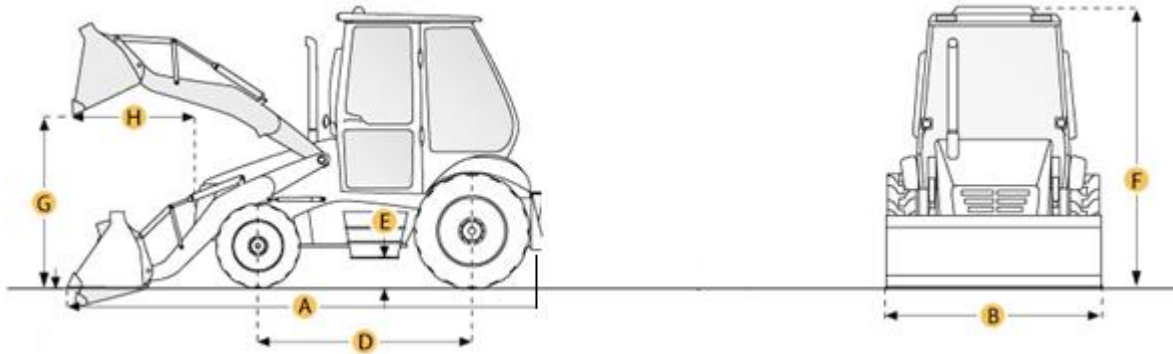
TRANSMISSION

9.50 Type Power-shift transmission with torque convertor, manual shift with power reverser preferred, **state**. _____

9.51 Shifting Fully synchronized. _____

- | | | | |
|------|----------------|---------------------|-------|
| 9.52 | Speeds forward | Four (4). | _____ |
| 9.53 | Speeds reverse | Four (4). | _____ |
| 9.54 | Power-shift | Direction reverser. | _____ |

DIMENSIONS



- | | | | |
|------|---------------------------------|---|-------|
| 9.55 | Overall transport length (A) | Approx. 16', state. | _____ |
| 9.56 | Overall transport width (B) | Approx. 7', state. | _____ |
| 9.57 | Wheelbase (D) | Approx. 84", state. | _____ |
| 9.58 | Operating weight (as bid) | Approx. 11,500lbs, (without attachments) state weight. | _____ |
| 9.59 | Ground clearance (E) | Approx. 12", state. | _____ |
| 9.60 | Overall height (top of cab) (F) | Approx. 9', state. | _____ |
| 9.61 | Turning radius | Curb clearance with brakes applied, state. | _____ |

FRONT END LOADER

- | | | | |
|------|----------------------------|---|-------|
| 9.62 | Lift capacity, full height | Approx. 6,500lbs., state. | _____ |
| 9.63 | Bucket breakout force | Approx. 9,000lbs., state. | _____ |
| 9.64 | Dump clearance as bid (G) | Bucket @ 45° approx. 105 inches, state. | _____ |
| 9.65 | Controls | Single lever with clutch disconnect button, return –to-dig and float. | _____ |
| 9.66 | Self-levelling bucket | With level indicator. | _____ |
| 9.67 | Wear plate (s) | Required to prevent bucket heel from rubbing on ground with bolt-on cutting edge in place. | _____ |
| 9.68 | Lashing ring | Heavy duty, steel weld-on hook with spring mounted clasp, top-center mounted at front of loader bucket. | _____ |
| 9.69 | Loader safety prop bar | Preferred. | _____ |

9.70	Hydraulic function	3 function hydraulics with quick connect couplers.	_____
9.71	Hydraulic quick attach coupler	For loader buckets and attachments. Engage/release for operator's seat.	_____
9.72	OEM ride control	State.	_____
9.73	OEM Counter weights	OEM, factory installed, as required to provide proper machine balance and loading characteristics. State weight of counterweights and location.	_____ _____

ATTACHMENTS

Note: Attachments to be priced only as indicated on Form B: Prices Section A.

Attachments (Section A). Unit will come with the following attachments

9.74	3-Point Hitch	Compatible with existing City owned attachments: Central Fab Box Scraper, Woods RB990-2 Landscape Blade	_____
9.75	General Material Bucket	Approx. 82" width <ul style="list-style-type: none"> • Bolt-on cutting edge • Bucket required to fit inside 90" wide dump box for loading purposes. State: <ul style="list-style-type: none"> • Make: _____ • Model: _____ • Part number: _____ • Overall width: _____ 	_____
9.76	Snow Bucket	Approx. 93" width, 2.0 yd ³ capacity. <ul style="list-style-type: none"> • Bolt-on cutting edge • Wear plates required to prevent bucket heel from rubbing on ground with bolt-on cutting edge in place. • Width to exceed width at rear tires. 	_____

9.77 Clam bucket 4 in 1 combination _____
• with and bolt-on cutting edge.
• Approx. width 82" with 1 yd³ capacity,
• Replaceable bolt-on cutting edges for all three edges of the bucket.
• Bucket is required to fit inside of a 90" wide dump box for loading purposes.

- State:**
- Make: _____
 - Model: _____
 - Part number: _____
 - Overall width: _____

9.78 Pallet forks Carriage and fork set with 48" tines _____

GREASING SYSTEM

9.79 Greasing system _____
NLGI-2 heavy-duty automatic lubrication system -System layout shall perform under the operating principles of a Parallel injection system (Progressive systems not acceptable). System shall be connected to all grease points, outfitted with automatic low level shut-off, with an in cab monitor showing system status such as low level, low pressure and/ or fault code display.

- 9.80 Pump reservoir _____
- a) 4 or 6kg or larger pump reservoir (appropriate for the size of the machine) and parameters preprogrammed required to accommodate 500 hour service intervals. Pump must have correct filler adapter fitting for City of Winnipeg maintenance staff to refill reservoir. _____
 - b) Adapter fitting-Parker part# h2-63. _____
 - c) For safety reasons, access to refill the pump reservoir shall be via remote fill line of min. 3/8in. hose to accommodate a refill procedure at ground level. _____

9.81 Power input _____
System power connection 12-Volt to ignition source with an accessible fuse protection and for greasing system to shut down completely when the engine is turned off.

9.82 Grease lines

a) Main grease lines: Extreme Low temperature (example: Eaton Areo Quip Match Mate Global Ice SAE 100R16) steel braided rubber hose with compatibility to accommodate max working pressure of 6000psi. Each hose on all connected points outfitted with #4 JIC crimped or reusable ends. _____

b) Secondary grease lines: 1/8 in. ID braided hose with 6000psi working pressure or equivalent, with # 4 JIC crimped or reusable ends and must be installed and protected from extreme environments such as heat sources and components producing vibration. _____

c) In extreme environment areas such as the lower machine articulator pin, and front bucket pins, heavy wall pipe must be fitted. _____

9.83 Thread sealant

Applied to main and secondary grease lines of each fitting. _____

9.84 Greasing points

a) **State**, quantity of greasing points. _____

b) **State**, quantity of grease points that cannot be connected to the automatic lubrication system but will be connected with remote grease lines. Where remote lines are utilized, decals must be applied stating manual greasing is required with recommended grease application intervals. _____

9.85 Injector manifolds

All manifolds and injectors shall be brass construction and to be fitted with nylon lock nut hardware and securely mounted in an area away from debris impact. Special guards should be fitted for injector manifolds and hoses in areas of consistent debris impact, i.e., snow, ice, road spray, etc. _____

9.86 Environmental impact, over-greasing

The system layout and grease injector delivery shall not over-grease any component to the extent where OEM warranties are voided. In addition, environmental impact features shall be incorporated in the automatic lubrication system, i.e., no grease pumped while parked or leaving excessive grease on roadways. _____

OPERATOR CAB

9.87 Type-ROPS Roll-over protective structure complete with pressurized cab, OSHA certified or equal. _____

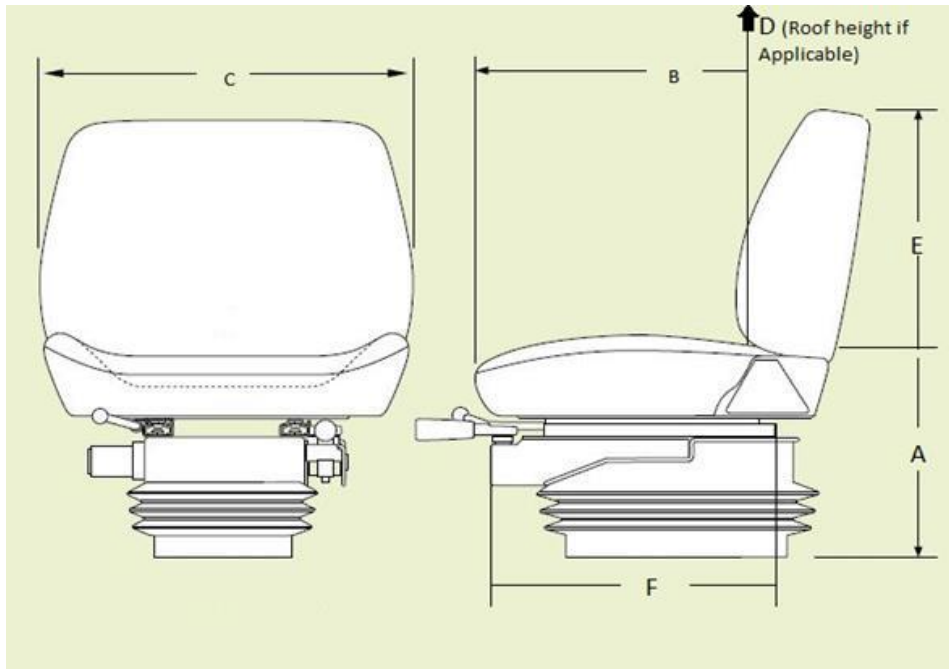
9.88 Insulation and headliner For sound suppression and severe weather/climate. _____

9.89 Floor covering Rubber matting, throughout. _____

9.90 Seat Cushioned, adjustable bucket type with arm rests, cloth upholstery air suspension with retractable seat belt. _____

9.91	Ride control	Factory installed.	_____
9.92	All Windows	Tinted safety glass with appropriate markings for all panes and opening type where applicable.	_____
9.93	Ignition keys	Three (3) sets required per machine.	_____
9.94	Doors	One (1) each side with spring assisted strut, lockable with common key.	_____
9.95	Interior rear-view mirror	Adjustable.	_____
9.96	Exterior rear-view mirrors (both sides)	One (1) each side (left-right), adjustable.	_____
9.97	Windshield wipers	Intermittent preferred, requires front and rear.	_____
9.98	Heater/defroster	Heavy duty, hot water type with multi-speed fan, capable of keeping all windows clear at -40° C.	_____
9.99	Window fans	Two (2) with guards.	_____
9.100	Air conditioning	Factory installed with under hood compressor. (Note: roof mounted air conditioners are not acceptable).	_____
9.101	Steps	Open grate style.	_____
9.102	Toolbox	Lockable, state location.	_____
9.103	Instrumentation	Coolant temperature-gauge with audible alarm. Engine oil pressure-gauge or warning light with audible alarm. Engine hour meter-non resettable type. Tachometer. Fuel gauge.	_____
9.104	Noise Level, interior	85 dB(A), measured in accordance with SAE J336, state noise level.	_____
9.105	Fire extinguisher	Five (5) lbs. High volume ABC type, State location.	_____
10.0	<u>OPERATOR STATION ERGONOMICS</u>		
	<u>Entry/ Exit</u>		
10.1	First step entry height	State , height of first step in inches.	_____
10.2	First handhold entry height	State , first handhold entry height in inches.	_____
10.3	Access to equipment	State , door opening height in inches.	_____
10.4	Access to equipment	State , door opening width in inches.	_____
10.5	Designed to prevent slipping	Anti-slip steps/handholds (Y or N)?	_____

Seat (use below diagram to answer questions)



- | | | | |
|-------|---|---|-------|
| 10.6 | Sitting height range from floor (where feet rest) (A) | State , seat height range in inches. | _____ |
| 10.7 | Seat length/depth (B) | State , seat length/depth in inches. | _____ |
| 10.8 | Seat width (C) | State , seat width in inches. | _____ |
| 10.9 | Cab height from seat to roof (if applicable) (D) | State , cab height range in inches. | _____ |
| 10.10 | Back rest height (E) | State , back rest height in inches. | _____ |
| 10.11 | Seat travel range (F) | State , seat travel in inches. | _____ |
| 10.12 | Lumbar support | Is lumbar support provided (Y or N)? | _____ |
| 10.13 | Head rest | Is head rest provided (Y or N)? | _____ |
| 10.14 | Seat is made of breathable material | State , type of seat material. | _____ |

Operation

- | | | | |
|-------|--|--|-------|
| 10.15 | Reaching distance to usual work | State , reaching distance in inches. | _____ |
| 10.16 | Maximum reaching distance | State , maximum reach distance in inches. | _____ |
| 10.17 | Adjustable pedals (accelerator/brake/clutch) | Are pedals adjustable (Y or N)? | _____ |
| 10.18 | Adjustable steering wheel | Is steering wheel adjustable (Y or N)? | _____ |
| 10.19 | Adjustable shoulder belt | Is belt adjustable and anchored (Y or N)? | _____ |

Cargo Area

- 10.20 Lid opens to provide adequate space _____
 space
- 10.21 Loading height **State**, trunk height in inches _____

Environment

- 10.22 Operator compartment is insulated from equipment noise (while operating) **State**, dBA inside cab while operating _____
- 10.23 Operator insulated from equipment vibration Is operator insulated from vibration (**Y or N**)? _____
- 10.24 Heating/cooling systems **State**, cab temperature range _____
- 10.25 Cab lighting **State**, lumens inside cab _____

11.0 WARRANTY

- 11.1 All warranty information shall be detailed and include all exclusions. The Contractor shall provide all published warranty information upon delivery of the equipment. Bidder shall state all warranty information. _____
- 11.2 Basic coverage **State:** _____
- 11.3 Power train **State:** _____
- 11.4 Hydraulics warranty **State:** _____
- 11.5 Batteries warranty **State:** _____
- 11.6 Tires warranty **State:** _____
- 11.7 Electrical warranty **State:** _____
- 11.8 Greasing System **State:** _____

12.0 DELIVERY

- 12.1 Delivery Point: The complete unit shall be serviced, ready for operation and delivered F.O.B. with the freight prepaid, including invoice and N.I.V.S. (if applicable) to the WFMA 185 Tecumseh Street, Winnipeg MB. The successful bidder shall be notified by the Contractor Administrator the delivery address prior to issuance of the purchase order. _____
- 12.2 Delivery Time: **Twelve (12) Calendar Weeks** from the date of award. Equipment shall be delivered between 8:00 am and 2:00 pm on Business Days. _____
- 12.3 Delivery Contact: The Contractor shall contact the Contract Administrator prior to delivery of the equipment. _____
- 12.4 P.D.I: A pre-delivery inspection shall be performed by the Contractor on the equipment. Proof upon inspection including completed check list _____

13.0 **MANUALS**

13.1 Manuals supplied under this contract shall cover the complete equipment including all components thereof, CD or USB flash drive is preferred where available. _____

13.2 The following manuals shall be supplied with the units when delivered:

a) Operator's manual – Two (2) per unit (one operator manual shall be sent to the Equipment Operator Training Branch _____

b) Parts and service manuals – one (1) complete sets including preventative maintenance schedules. CDs or USB flash drive are preferred. _____

14.0 **FIRST SERVICE PREVENTATIVE MAINTENANCE KIT**

14.1 In order to assure minimum downtime of the equipment in future service, the Contractor shall provide one (1) complete replacement set of new OEM filters for each unit purchased. The set of required filters shall include (if applicable to the equipment type) air, fuel, oil, cab and hydraulic, or otherwise all known necessary common replacement filters required for the first preventative maintenance servicing. _____

14.2 The Contractor shall provide a list of factory recommended lubricants to be used with the equipment, as well as a complete cross reference guide for all warranty approved lubricants and filters that can be used during preventative maintenance servicing. _____

15.0 **PARTS/LABOUR PRICING**

15.1 Bidder to provide City of Winnipeg Parts Discount % Pricing from retail parts pricing. **State percentage discount-** % _____

15.2 Bidder to provide City of Winnipeg Labor Discount % Pricing from Retail shop labor rate. **State percentage discount-** % _____

FORM N: DETAILED SPECIFICATIONS 21006 (R1) (SECTION B)

INDUSTRIAL TRACTOR LOADER BACKHOE (110HP)

1.0 INSTRUCTIONS FOR COMPLETION OF SPECIFICATIONS

- 1.1 All items in these specifications should be answered indicating compliance or non-compliance.
- 1.2 **Bidders shall state “yes” for compliance or state “deviation”,** or give a reply where requested to do so. Deviations and/or equivalents shall be clearly stated and fully detailed. Deviations and/or equivalents will be considered subject to evaluation. In every instance where a brand name or design specifications is used, the City will also consider deviations and/or equivalents.
- 1.3 Lengthy explanations of deviations may be included in a separate document and must reference the appropriate Detailed Specification.
- 1.4 Each Bidder is required to fill in every blank. Failure to do so may be used as a basis for rejection of bid.
- 1.5 It will be the responsibility of the Bidder to inform the City of any errors or omissions in these Detailed Specifications, for under this Contract, the Contractor shall be held responsible to ensure that the manufacturer will be responsible for the design, performance, reliability and satisfactory operational function of the unit.

2.0 DESCRIPTION OF EQUIPMENT

- 2.1 These specifications describe **Industrial Tractor Loader Backhoe** and other equipment and features as specified herein.
- 2.2 The **Industrial Tractor Loader Backhoe** shall be a new 2021 model year or newer.
- 2.3 The **Industrial Tractor Loader Backhoe** and all other items/components shall be the manufacturer's latest model. The equipment shall be furnished complete and ready for operation. Any parts or accessories not specifically mentioned, but which are required to complete and place the equipment and associated attachments in successful operation shall be furnished as though specifically mentioned in these specifications. The equipment and associated attachments, and all parts thereof, shall conform in strength and quality of material and workmanship, to the best standards and engineering practice of the industry.
- 2.4 The **Industrial Tractor Loader Backhoe** shall be the manufacturer's latest model, as may be modified by these specifications. The **Industrial Tractor Loader Backhoe**, including all auxiliary equipment, shall be furnished complete and ready for use. All parts not specifically mentioned but which are required for the complete unit shall conform in strength, quality of material and workmanship, to the best standards and engineering practice in the industry.
- 2.5 The ratings specified herein merely state the minimum values acceptable to the City, not implying that those values are sufficient for the design of the particular equipment being bid.

3.0 OTHER SPECIFICATIONS AND STANDARDS

- 3.1 All applicable SAE Standards form an integral part of the vehicle specifications and shall have precedence in any conflict concerning minimum acceptable standards.
- 3.2 The **Industrial Tractor Loader backhoe** shall comply with the applicable regulations:

Transport Canada, National Safety Mark, NSM: <http://www.tc.gc.ca/eng/acts-regulations/acts-road.htm>

Manitoba Safety and Health Regulation, Parts 12, 16, 22: <https://web2.gov.mb.ca/laws/statutes/ccsm/w210e.php>

Canadian Motor Vehicle Safety Standards C.M.V.S.S. http://laws-lois.justice.gc.ca/eng/regulations/C.R.C.,_c._1038/section-sched3.html

Manitoba Highway Traffic Act regulations and requirements including, but not limited to, a Manitoba Government Inspection with Safety Sticker. <http://web2.gov.mb.ca/laws/regq/index.php?act=h60>

Canadian Standards Association, CSA: <http://www.csagroup.org/>

Under Writers of Canada, U/L: <http://www.ulc.ca/>

Society of Automotive Engineers, SAE: <http://www.sae.org/>

City of Winnipeg Lighting Visibility Standard: <http://winnipeg.ca/matmgt/pdfs/PublicWorksEquipLightingVisibility.pdf>

Manitoba Building Code: <https://web2.gov.mb.ca/laws/regs/current/pdf-regs.php?reg=31/2011>

- 3.3 All welding and welding designs of the load supporting elements shall conform to the requirements of the Canadian Standards Association Standard (CSA) W47.1-03 and W59-03.

4.0 REFERENCES

- 4.1 Provide five (5) references where this equipment is used in a working environment where climatic conditions are similar to the City of Winnipeg.

5.0 MAKE & MODEL

- 5.1 State year, make and model being bid: _____

6.0 PERFORMANCE RELIABILITY

- 6.1 The responsibility for the design of the **Industrial Tractor Loader Backhoe**, its performance and reliability shall rest upon the Contractor.

- 6.2 The term “repeated failures” as used herein is defined to mean that the same component, subassembly, or assembly develops repeated defects, breakdowns and/or malfunctions rendering the vehicle inoperative, or requiring repeated shop correction, service and/or replacement during the warranty period applicable for said component, subassembly, of assembly. Minor items or ordinary service adjustments are not included, or considered under the scope of “repeated failures”, as well as other factors, such as operational damage due to accidents, misuse or lack of proper maintenance, service and lubrication attention by not following the manufacturer’s preventative maintenance schedule.

- 6.3 Where the **Industrial Tractor Loader Backhoe** develops “repeated failures” in service, the Contractor shall make any necessary engineering changes, repairs, alterations or modifications in order to guarantee reliability of performance.

- 6.4 The equipment shall be capable of consistent top performance in City of Winnipeg Environment. Note: The City of Winnipeg has four seasons with ambient temperatures ranging from approximately 90°F (32°C) to -40°F (-40°C).

7.0 FUEL

- 7.1 Where applicable, all equipment must be fully fueled upon delivery (no exceptions).

8.0 QUALIFICATIONS OF MANUFACTURER & CONTRACTOR

- 8.1 The manufacturer of the **Industrial Tractor Loader Backhoe** shall have five (5) years continuous experience manufacturing the equipment.

- 8.2 The manufacturer shall have in effect a documented quality control program ensuring that the quality of materials and workmanship, including welding, conforms to the best standards and engineering practice of the industry.

- 8.3 The Contractor shall have five (5) years continuous experience servicing, repairing and maintaining **Industrial Tractor Loader Backhoe** of the type being offered.

9.0 SPECIFICATIONS:

ENGINE

9.1	Engine make & model	State	_____
9.2	Engine specification	Diesel, Emissions Tier IV Diesel Interim or Final, must meet current Emission Standards.	_____
9.3	Horse power	Approx. Net 110 hp. State.	_____
9.4	Torque	Net torque, State.	_____
9.5	Engine aspiration	State.	_____
9.6	Fuel shut off	Electric solenoid type.	_____
9.7	Fuel filter	With water separator.	_____
9.8	Oil filter	Full flow, spin-on type.	_____
9.9	Air cleaner	Dry cartridge type with dash mounted restriction indicator.	_____
9.10	Throttle	Hand operated with foot override.	_____
9.11	Exhaust	Muffled, vertical discharge with bend and 40° cut-off (rain cap unacceptable).	_____
9.12	Coolant	Extended life, protected to -40° C.	_____
9.13	Engine block heater	Approx. 750 Watts, 120VAC.	_____
9.14	Cold weather starting aid	Glow plugs or air intake warmer, state type.	_____
9.15	Fuel tank	State capacity.	_____
9.16	Front radiator guard	Made from steel and painted, protects radiator from rocks and debris when using the front loader. Designed to permit servicing of radiator without being removed.	_____

ELECTRICAL/ LIGHTING/ SAFETY

9.17	Type	12-Volt, negative ground electrical system.	_____
9.18	Electric starter	With key starter switch.	_____
9.19	Batteries	Dual batteries, 1600CCA combined capacity.	_____
9.20	Battery disconnect switch (lockable)	Protected from the elements. Switch to be lockable with pad lock.	_____
9.21	Alternator	Approx. 150 Amp, state capacity.	_____
9.22	Combined stop and tail lights	Two (2).	_____

9.23	Signal lights with warning flashers	Two (2) front and two (2) rear.	_____
9.24	Warning flashers	Operable with key removed.	_____
9.25	Headlights	Two (2).	_____
9.26	Working lights	Front- four (4) front mounted, adjustable, located immediately below cab roof line. Rear-four (4) rear mounted, adjustable, located immediately below the cab roof line. Side-two (2) side mounted, located immediately below cab roof line.	_____ _____ _____
9.27	Light switches	Independent on/off switch for each pair of work lights, dash mounted, wired through ignition, labeled with permanent type, engraved style labels.	_____
9.28	Cab interior light	Interior light with door switch(s) and master switch.	_____
9.29	Radio	AM/FM/CD or MP3.	_____
9.30	Radio installation provision	12 volt, 20Amp spade/independent circuit available at a spare circuit breaker, suitable for installation of a 2-way mobile radio.	_____
9.31	Horn	Operable from driving position and from backhoe position.	_____
9.32	Safety lighting (beacon)	Make and Model: Whelen L31 Series Super-LED, SAE Class 1 (or equivalent) Blue/Amber (individual control) beacon, 360 degree visibility. Wired through ignition, lights shall be wired for separate amber and separate blue labelled independently "winter", "off", "summer". The winter mode will turn on both blue and the summer will only turn on the amber lights.	_____
9.33	Beacon guard	Ramped, heavy duty bolt-on metal guard, designed to permit servicing of beacon without being removed.	_____
9.34	Back-up alarm	Approx. 97 dB, factory installed, mounted to be protected from damage.	_____

- 9.35 Wiring _____
All locally installed accessories shall be color coded, loomed and properly secured. Splicing in any factory harness is unacceptable. All electrical power for locally supplied electrical components to be supplied from an OEM power distribution box.
All joining of wires and electrical connectors shall be soldered and sealed with heat shrink tubing. All wiring for work lights and warning lights shall be supplied with no exposed wiring.
- 9.36 LED lighting _____
All lighting LED, **state**.
- 9.37 Slow moving sign _____
Grote 71152 (or equivalent in accordance to B6) with bracket mounted to rear of backhoe.

TIRES, RIMS, FENDERS

- 9.38 Front tires _____
Michelin or Bridgestone radial or bias, (or equivalent in accordance to B6) **state**.
- 9.39 Ply rating _____
State ply rating.
- 9.40 Tread _____
R4, Industrial tractor.
- 9.41 Rear tires _____
Size 21L-24, Michelin or Bridgestone radial or bias, (or equivalent in accordance to B6) **state**.
- 9.42 Ply rating _____
State ply rating.
- 9.43 Tread _____
R4, industrial tractor.
- 9.44 Fenders (extensions) _____
Front and rear, rubber or polymer, **state**, material.

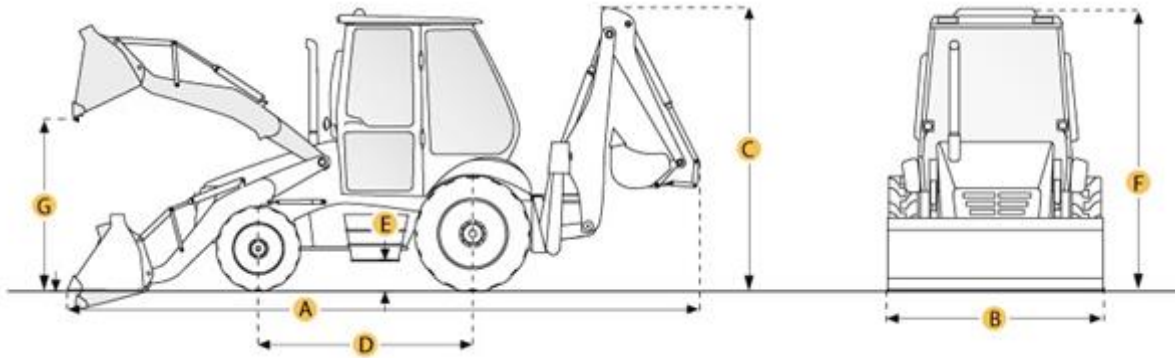
AXLES & BRAKES

- 9.45 Front axle _____
Driven type (4WD) with guarded drive shaft (limited slip differential).
- 9.46 Rear axle _____
Differential lock, push button activation.
- 9.47 Brakes _____
Wet disk type with individual pedals simultaneous or independent operations.
- 9.48 Parking brake _____
Foot or hand operated, **state** type.

TRANSMISSION

9.49	Type	Power-shift transmission with torque convertor, manual shift with power reverser, state.	_____
9.50	Shifting	Fully synchronized.	_____
9.51	Speeds forward	Four (4), state.	_____
9.52	Speeds reverse	Four (4), state.	_____
9.53	Power-shift	Direction reverser.	_____
9.54	Travel speed Max	Forward speed: approx. 24 mph (40 kph), state.	_____
		Reverse speed: approx. 24 mph (40 kph), state.	_____

DIMENSIONS



9.55	Overall transport length (A)	Approx. 24', state.	_____
9.56	Overall transport width (B)	Approx. 8', state.	_____
9.57	Overall transport height (C)	Approx. 12'5", state.	_____
9.58	Overall width	Stabilizer spread, outside edge of pad, state.	_____
9.59	Wheelbase (D)	Approx. 84", state.	_____
9.60	Ground clearance (E)	Approx. 12", state.	_____
9.61	Overall height (top of cab) (F)	Approx. 9', state.	_____
9.62	Operating weight (as bid)	Approx. 18,000lbs, (without attachments) state weight.	_____
9.63	Turning radius	Curb clearance with brakes applied, state.	_____

FRONT END LOADER

9.64	Lift capacity, full height	Approx. 8400lbs., state.	_____
------	----------------------------	---------------------------------	-------

9.65	Bucket breakout force	Approx. 13,000lbs., state.	_____
9.66	Dump clearance as bid (G)	Bucket @ 45 ^o approx. 108 inches, state	_____
9.67	Controls	Single lever with clutch disconnect button, return –to-dig and float.	_____
9.68	Self-levelling bucket	With level indicator.	_____
9.69	Wear plate (s)	Required to prevent bucket heel from rubbing on ground with bolt-on cutting edge in place.	_____
9.70	Lashing ring	Heavy duty, steel weld-on hook with spring mounted clasp, top-center mounted at front of loader bucket.	_____
9.71	Loader safety prop bar	For safety when servicing loader arms.	_____
9.72	Hydraulic function	For attachment growth, 3 rd function valve. High flow pump, approx. 43 gpm Couplers and controls shall be provided as required on all machines to accommodate, a brush mower attachment etc.	_____
9.73	Hydraulic quick attach	For loader bucket. In cab controls to release pins from bucket.	_____
9.74	OEM ride control	State.	_____

BACKHOE

9.75	Type	Centre pivot with extendable dipper-stick.	_____
9.76	Maximum digging depth	Approx. 19'6", state digging depth.	_____
9.77	Overall reach from rear axle centerline	Approx. 27', state reach.	_____
9.78	Digging force	Bucket cylinder (SAE), with 24 inch bucket approx. 15,000lbs., state.	_____
9.79	Digging force	Crowd cylinder (SAE), with dipper-stick retracted approx. 10,500lbs., state.	_____
9.80	Lifting capacity with stick at 12ft reach	Approx. 4,400lbs. state.	_____
9.81	Controls	SAE excavator style, pilot operated hydraulic joystick controls.	_____
9.82	Hydraulic Multi-brand Quick coupler attachment bracket	For quick attachment of all buckets and hydraulic hammers, state make and model being bid.	_____

9.83	360° rotation and tilt attachment coupler	Hydraulic quick attach.	Deleted
9.84	Attachment bracket	Permit use of two (2) bucket positions.	_____
9.85	Attachment bracket	Permit bucket, and bucket position changes.	_____
9.86	Certified lifting hooks	All buckets to be complete with certified lifting hooks.	_____
9.87	Stabilizer pads	Reversible, flip-over type pads.	_____
9.88	Front counterweight	Supplied as to provide proper machine balance and loading characteristics.	_____
9.89	Replaceable bushings and grease fittings	At backhoe pivot points, cylinder rod and closed ends, and bucket links.	_____
9.90	Auxiliary hydraulics	For attachment growth, 3 rd function valve. High flow pump, approx. 43 gpm Couplers and controls shall be provided as required on all machines to accommodate, hydraulic breaker.	_____

ATTACHMENTS

Note: Attachments to be priced only as indicated on Form B: Prices Section B.

Attachments (Section B). Unit to have the following attachments

9.91	General Material loader bucket	Approx. 93" width, with bolt-on cutting edge with a 1.3 yd ³ heaped capacity. Bucket is required to fit inside of a 90" wide dump box for loading purposes. State: • Make: _____ • Model: _____ • Part number: _____ • Overall width: _____	
9.92	24 inch Digging Bucket	24 inch heavy duty digging bucket with replaceable pin-on teeth, complete with required attachment pin(s) and certified lifting hooks. Backhoe to be delivered with 24 inch digging bucket (w/teeth) installed. State: • Make: _____ • Model: _____ • Part number: _____ • Overall width: _____	_____

9.93 Hydraulic Breaker Tramac Model SC42, 1300 ft lbs, with required attachment pins and quick couplers. _____
State:
• Make: _____
• Model: _____
• Part number: _____

OPERATOR CAB

9.94 Type-ROPS Roll-over protective structure complete with pressurized cab, OSHA certified or equivalent in accordance with B6. _____

9.95 Insulation and headliner For sound suppression and severe weather/climate. _____

9.96 Floor covering Rubber matting, throughout. _____

9.97 Seat Cushioned, adjustable bucket type with arm rests, cloth upholstery air suspension with retractable seat belt. _____

9.98 Ride control Factory installed. _____

9.99 All windows Tinted safety glass with appropriate markings for all panes and opening type where applicable. _____

9.100 Ignition keys Three (3) sets required per machine. _____

9.101 Doors One (1) each side with spring assisted strut, lockable with common key. _____

9.102 Interior rear-view mirror Adjustable. _____

9.103 Windshield wipers Intermittent preferred, requires front and rear. _____

9.104 Heater/defroster Heavy duty, hot water type with multi-speed fan, capable of keeping all windows clear at -40^o C. _____

9.105 Window fans Two (2) with guards. _____

9.106 Air conditioning Factory installed with under hood compressor. (Note: roof mounted air conditioners are not acceptable). _____

9.107 Steps Open grate style. _____

9.108 Toolbox Lockable, state location. _____

9.109 Instrumentation Coolant temperature-gauge with audible alarm. Engine oil pressure-gauge or warning light with audible alarm. Engine hour meter-non resettable type. Tachometer. Fuel gauge. _____

9.110 Noise Level, interior Approx. 85 dB(A), measured in accordance with SAE J336, **state** noise level. _____

9.111 Fire extinguisher Five (5) lbs. High volume ABC type, **State** location. _____

GREASING SYSTEM

9.112 Greasing system _____
NLGI-2 heavy-duty automatic lubrication system -System layout shall perform under the operating principles of a Parallel injection system (Progressive systems not acceptable). System shall be connected to all grease points, outfitted with automatic low level shut-off, with an in cab monitor showing system status such as low level, low pressure and/ or fault code display.

- 9.113 Pump reservoir _____
- a) 4 or 6kg or larger pump reservoir (appropriate for the size of the machine) and parameters preprogrammed required to accommodate 500 hour service intervals. Pump must have correct filler adapter fitting for City of Winnipeg maintenance staff to refill reservoir. _____
 - b) Adapter fitting-Parker part# h2-63. _____
 - c) For safety reasons, access to refill the pump reservoir shall be via remote fill line of min. 3/8in. hose to accommodate a refill procedure at ground level. _____

9.114 Power input _____
System power connection 12-Volt to ignition source with an accessible fuse protection and for greasing system to shut down completely when the engine is turned off.

- 9.115 Grease lines _____
- a) Main grease lines: Extreme Low temperature (example: Eaton Areo Quip Match Mate Global Ice SAE 100R16) steel braided rubber hose with compatibility to accommodate max working pressure of 6000psi. Each hose on all connected points outfitted with #4 JIC crimped or reusable ends. _____
 - b) Secondary grease lines: 1/8 in. ID braided hose with 6000psi working pressure or equivalent, with # 4 JIC crimped or reusable ends and must be installed and protected from extreme environments such as heat sources and components producing vibration. _____
 - c) In extreme environment areas such as the lower machine articulator pin, and front bucket pins, heavy wall pipe must be fitted. _____

9.116 Thread sealant
Applied to main and secondary grease lines of each fitting. _____

9.117 Greasing points
a) **State**, quantity of greasing points. _____
b) **State**, quantity of grease points that cannot be connected to the automatic lubrication system but will be connected with remote grease lines. Where remote lines are utilized, decals must be applied stating manual greasing is required with recommended grease application intervals. _____

9.118 Injector manifolds
All manifolds and injectors shall be brass construction and to be fitted with nylon lock nut hardware and securely mounted in an area away from debris impact. Special guards should be fitted for injector manifolds and hoses in areas of consistent debris impact, i.e., snow, ice, road spray, etc. _____

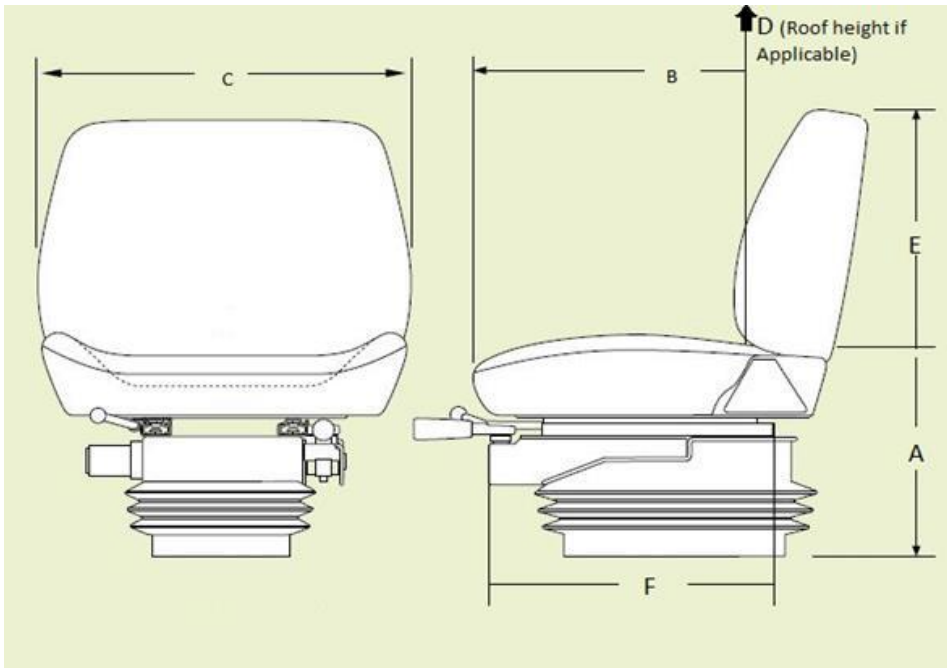
9.119 Environmental impact, over-greasing
The system layout and grease injector delivery shall not over-grease any component to the extent where OEM warranties are voided. In addition, environmental impact features shall be incorporated in the automatic lubrication system, i.e., no grease pumped while parked or leaving excessive grease on roadways. _____

10.0 **OPERATOR STATION ERGONOMICS**

Entry/ Exit

- 10.1 First step entry height **State**, height of first step in inches. _____
- 10.2 First handhold entry height **State**, first handhold entry height in inches. _____
- 10.3 Access to equipment **State**, door opening height in inches. _____
- 10.4 Access to equipment **State**, door opening width in inches. _____
- 10.5 Designed to prevent slipping Anti-slip steps/handholds **(Y or N)?** _____

Seat (use below diagram to answer questions)



- | | | | |
|-------|---|---|-------|
| 10.6 | Sitting height range from floor (where feet rest) (A) | State , seat height range in inches. | _____ |
| 10.7 | Seat length/depth (B) | State , seat length/depth in inches. | _____ |
| 10.8 | Seat width (C) | State , seat width in inches. | _____ |
| 10.9 | Cab height from seat to roof (if applicable) (D) | State , cab height range in inches. | _____ |
| 10.10 | Back rest height (E) | State , back rest height in inches. | _____ |
| 10.11 | Seat travel range (F) | State , seat travel in inches. | _____ |
| 10.12 | Lumbar support | Is lumbar support provided (Y or N)? | _____ |
| 10.13 | Head rest | Is head rest provided (Y or N)? | _____ |
| 10.14 | Seat is made of breathable material | State , type of seat material. | _____ |

Operation

- | | | | |
|-------|--|--|-------|
| 10.15 | Reaching distance to usual work | State , reaching distance in inches. | _____ |
| 10.16 | Maximum reaching distance | State , maximum reach distance in inches. | _____ |
| 10.17 | Adjustable pedals (accelerator/brake/clutch) | Are pedals adjustable (Y or N)? | _____ |
| 10.18 | Adjustable steering wheel | Is steering wheel adjustable (Y or N)? | _____ |
| 10.19 | Adjustable shoulder belt | Is belt adjustable and anchored (Y or N)? | _____ |

11.0 **WARRANTY**

11.1 All warranty information shall be detailed and include all exclusions. The Contractor shall provide all published warranty information upon delivery of the equipment. Bidder shall state all warranty information. _____

11.2 Basic coverage **State:** _____

11.3 Power train **State:** _____

11.4 Hydraulics warranty **State:** _____

11.5 Batteries warranty **State:** _____

11.6 Tires warranty **State:** _____

11.7 Electrical warranty **State:** _____

11.8 Cab structure/corrosion **State:** _____

11.9 Greasing System **State:** _____

12.0 **DELIVERY**

12.1 Delivery Point: The complete unit shall be serviced, ready for operation and delivered F.O.B. with the freight prepaid, including invoice and N.I.V.S. (if applicable) to the WFMA 185 Tecumseh Street, Winnipeg MB. The successful bidder shall be notified by the Contractor Administrator the delivery address prior to issuance of the purchase order. _____

12.2 Delivery Time: **Twelve (12) Calendar Weeks** from the date of award. Equipment shall be delivered between 8:00 am and 2:00 pm on Business Days. _____

12.3 Delivery Contact: The Contractor shall contact the Contract Administrator prior to delivery of the equipment. _____

12.4 P.D.I: A pre-delivery inspection shall be performed by the Contractor on the equipment. Proof upon inspection including completed check list _____

13.0 **MANUALS**

13.1 Manuals supplied under this Contract shall cover the complete equipment including all components thereof, CD or USB flash drive is preferred where available. _____

13.2 The following manuals shall be supplied with the units when delivered: _____

a) Operator's manual – Two (2) per unit (one operator manual shall be sent to the Equipment Operator Training Branch _____

b) Parts and service manuals – one (1) complete sets including preventative maintenance schedules. CDs or USB flash drive are preferred. _____

14.0 **FIRST SERVICE PREVENTATIVE MAINTENANCE KIT**

- 14.1 In order to assure minimum downtime of the equipment in future service, the Contractor shall provide one (1) complete replacement set of new OEM filters for each unit purchased. The set of required filters shall include (if applicable to the equipment type) air, fuel, oil, cab and hydraulic, or otherwise all known necessary common replacement filters required for the first preventative maintenance servicing. _____
- 14.2 The Contractor shall provide a list of factory recommended lubricants to be used with the equipment, as well as a complete cross reference guide for all warranty approved lubricants and filters that can be used during preventative maintenance servicing. _____
- 15.0 **PARTS/LABOUR PRICING**
- 15.1 Bidder to provide City of Winnipeg Parts Discount % Pricing from retail parts pricing. **State percentage discount-** %_____
- 15.2 Bidder to provide City of Winnipeg Labor Discount % Pricing from Retail shop labor rate. **State percentage discount-** %_____

FORM N: DETAILED SPECIFICATIONS 21007 (SECTION C)

FRONT END WHEEL LOADER (4.25YD³)

1.0 INSTRUCTIONS FOR COMPLETION OF SPECIFICATIONS

- 1.1 All items in these specifications should be answered indicating compliance or non-compliance.
- 1.2 **Bidders shall state “yes” for compliance or state “deviation”,** or give a reply where requested to do so. Deviations and/or equivalents shall be clearly stated and fully detailed. Deviations and/or equivalents will be considered subject to evaluation. In every instance where a brand name or design specifications is used, the City will also consider deviations and/or equivalents.
- 1.3 Lengthy explanations of deviations may be included in a separate document and must reference the appropriate Detailed Specification.
- 1.4 Each Bidder is required to fill in every blank. Failure to do so may be used as a basis for rejection of bid.
- 1.5 It will be the responsibility of the Bidder to inform the City of any errors or omissions in these Detailed Specifications, for under this Contract, the Contractor shall be held responsible to ensure that the manufacturer will be responsible for the design, performance, reliability and satisfactory operational function of the unit.

2.0 DESCRIPTION OF EQUIPMENT

- 2.1 These specifications describe **Front End Wheel Loader** and other equipment and features as specified herein.
- 2.2 The **Front End Wheel Loader** shall be a new 2021 model year or newer.
- 2.3 The **Front End Wheel Loader** and all other items/components shall be the manufacturer's latest model. The equipment shall be furnished complete and ready for operation. Any parts or accessories not specifically mentioned, but which are required to complete and place the equipment and associated attachments in successful operation shall be furnished as though specifically mentioned in these specifications. The equipment and associated attachments, and all parts thereof, shall conform in strength and quality of material and workmanship, to the best standards and engineering practice of the industry.
- 2.4 The **Front End Wheel Loader** shall be the manufacturer's latest model, as may be modified by these specifications. The **Front End Wheel Loader**, including all auxiliary equipment, shall be furnished complete and ready for use. All parts not specifically mentioned but which are required for the complete unit shall conform in strength, quality of material and workmanship, to the best standards and engineering practice in the industry.
- 2.5 The ratings specified herein merely state the minimum values acceptable to the City, not implying that those values are sufficient for the design of the particular equipment being bid.

3.0 OTHER SPECIFICATIONS AND STANDARDS

- 3.1 All applicable SAE Standards form an integral part of the vehicle specifications and shall have precedence in any conflict concerning minimum acceptable standards.
- 3.2 The **Front End Wheel Loader** shall comply with the applicable regulations:

Transport Canada, National Safety Mark, NSM: <http://www.tc.gc.ca/eng/acts-regulations/acts-road.htm>

Manitoba Safety and Health Regulation, Parts 12, 16, 22: <https://web2.gov.mb.ca/laws/statutes/ccsm/w210e.php>

Canadian Motor Vehicle Safety Standards C.M.V.S.S. http://laws-lois.justice.gc.ca/eng/regulations/C.R.C.,_c._1038/section-sched3.html

Manitoba Highway Traffic Act regulations and requirements including, but not limited to, a Manitoba Government Inspection with Safety Sticker. <http://web2.gov.mb.ca/laws/regis/index.php?act=h60>

Canadian Standards Association, CSA: <http://www.csagroup.org/>

Under Writers of Canada, U/L: <http://www.ulc.ca/>

Society of Automotive Engineers, SAE: <http://www.sae.org/>

City of Winnipeg Lighting Visibility Standard: <http://winnipeg.ca/matmgt/pdfs/PublicWorksEquipLightingVisibility.pdf>

Manitoba Building Code: <https://web2.gov.mb.ca/laws/regs/current/pdf-regs.php?reg=31/2011>

- 3.3 All welding and welding designs of the load supporting elements shall conform to the requirements of the Canadian Standards Association Standard (CSA) W47.1-03 and W59-03.

4.0 REFERENCES

- 4.1 Provide five (5) references where this equipment is used in a working environment where climatic conditions are similar to the City of Winnipeg.

5.0 MAKE & MODEL

- 5.1 State year, make and model being bid: _____

6.0 PERFORMANCE RELIABILITY

- 6.1 The responsibility for the design of the **Front End Wheel Loader**, its performance and reliability shall rest upon the Contractor.

- 6.2 The term “repeated failures” as used herein is defined to mean that the same component, subassembly, or assembly develops repeated defects, breakdowns and/or malfunctions rendering the vehicle inoperative, or requiring repeated shop correction, service and/or replacement during the warranty period applicable for said component, subassembly, of assembly. Minor items or ordinary service adjustments are not included, or considered under the scope of “repeated failures”, as well as other factors, such as operational damage due to accidents, misuse or lack of proper maintenance, service and lubrication attention by not following the manufacturer’s preventative maintenance schedule.

- 6.3 Where the **Front End Wheel Loader** develops “repeated failures” in service, the Contractor shall make any necessary engineering changes, repairs, alterations or modifications in order to guarantee reliability of performance.

- 6.4 The equipment shall be capable of consistent top performance in City of Winnipeg Environment. Note: The City of Winnipeg has four seasons with ambient temperatures ranging from approximately 90°F (32°C) to -40°F (-40°C).

7.0 FUEL

- 7.1 Where applicable, all equipment must be fully fueled upon delivery (no exceptions).

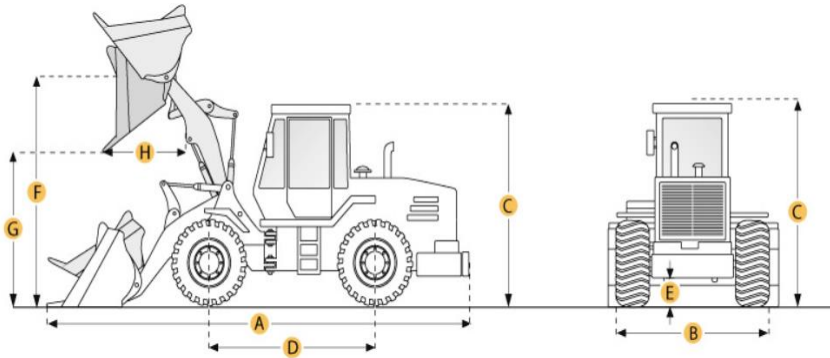
8.0 QUALIFICATIONS OF MANUFACTURER & CONTRACTOR

- 8.1 The manufacturer of the **Front End Wheel Loader** shall have five (5) years continuous experience manufacturing the equipment.

- 8.2 The manufacturer shall have in effect a documented quality control program ensuring that the quality of materials and workmanship, including welding, conforms to the best standards and engineering practice of the industry.

- 8.3 The Contractor shall have five (5) years continuous experience servicing, repairing and maintaining **Front End Wheel Loader** of the type being offered.

9.0 SPECIFICATIONS:



DIMENSIONS

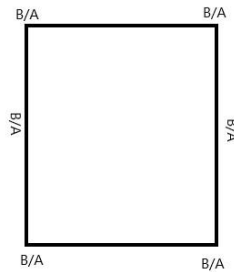
9.1	Loader type	Articulating.	_____
9.2	Overall transport length (A)	State.	_____
9.3	Width: over tires (B)	State.	_____
9.4	Overall height (top of cab) (C)	State.	_____
9.5	Wheelbase (D)	State.	_____
9.6	Ground clearance (E)	State.	_____
9.7	Hinge pin height (F)	State.	_____
9.8	Dump clearance at max raise at 45° (G)	State.	_____
9.9	Reach at max lift and dump 45° (H)	State.	_____
9.10	Operating weight (as bid)	Approx. 42,000 – 43,000 lbs., state weight.	_____

ENGINE

9.11	Engine make & model	State.	_____
9.12	Engine specification	Diesel, Emissions Tier IV Final, must meet current Emission Standards.	_____
9.13	Horse power	Approx. Net 200-235HP, state.	_____
9.14	Torque	Net torque, approx. 750 lb-ft, state.	_____
9.15	Engine aspiration	State.	_____
9.16	Fuel shut off	Electric solenoid type.	_____
9.17	Fuel Filter	With water separator.	_____
9.18	Oil filter	Full flow, spin-on type.	_____
9.19	Air cleaner	Dry two-stage cartridge type with restriction indicator and pre-cleaner.	_____
9.20	Throttle	Hand operated with foot override.	_____

9.21	Exhaust	Muffler with exhaust pipe, vertical discharge with bend and 40° cut-off (rain cap unacceptable).	_____
9.22	Coolant	Extended life, protected to -40° C.	_____
9.23	Engine block heater	Approx. 1000 Watts, 120VAC.	_____
9.24	Cold weather starting aid	Glow plugs or air intake warmer, state type.	_____
9.25	Automatic De-rating or equivalent for exceeding system parameters	Shall provide visual and audible warning of principal machine systems including engine oil pressure, low fuel pressure and coolant temperature. Shall provide the ability for the operator to move the machine to a safe location where the machine will not pose a threat to the operator or the public. OEM approved only.	_____
9.26	Programmable anti-idling system	For carbon emission, reduction/fuel consumption.	_____
9.27	Oil sampling valves	For engine, transmission and hydraulic system.	_____
9.28	Engine side covers	Hinged (if lockable, all locks must be keyed alike).	_____
9.29	Fuel tank	State capacity.	_____
<u>ELECTRICAL/ LIGHTING/ SAFETY</u>			
9.30	Type	24-Volt, negative ground electrical system.	_____
9.31	Electric starter	With key starter switch.	_____
9.32	Starter switch	Key type or keyless type with security code, state .	_____
9.33	Batteries	Dual batteries, 2000 CCA combined capacity.	_____
9.34	Battery disconnect switch (lockable)	Protected from the elements. Switch to be lockable with pad lock.	_____
9.35	Alternator	Approx. 120 Amp, state capacity.	_____
9.36	Combined stop and tail lights	Two (2). LED.	_____
9.37	Signal lights with warning flashers	Two (2) front and two (2) rear, LED.	_____
9.38	Warning flashers	Operable with key removed.	_____
9.39	Headlights	Two (2).	_____

9.40	Working lights (heavy duty)	a) Front- two (2) front mounted, adjustable, mounted near to pivot of loader lift arm. _____ b) Rear-two (2) rear mounted, adjustable. _____
9.41	Light switches	Independent on/off switch for each pair of work lights, dash mounted, wired through ignition, labeled with permanent type, engraved style labels. _____
9.42	Cab interior light	Interior light with door switch(s) and master switch. _____
9.43	Radio	AM/FM/CD or MP3. _____
9.44	Radio installation provision	12 volt, 20Amp spate/independent circuit available at a spare circuit breaker, suitable for installation of a 2-way mobile radio. _____
9.45	Horn	Operable from driving position. _____
9.46	Safety lighting Full set of Manitoba Highways provincially approved highway lights (wigwag lights).	One Blue and 1amber located on all four corners and 1 blue and1amber on each side of the cab roof flush mounted (6 blue 6 amber lights total). Make model: Whelen TIR3, SAE Class 1, 360 degree visibility. Wired through ignition, lights shall be wired for separate amber and separate blue labelled independently "winter", "off", "summer". The winter mode will turn on both blue and amber, the summer will only turn on the amber lights. _____



9.47	Back-up alarm	97 dB, factory installed, mounted to be protected from damage. _____
------	---------------	--

9.48	Wiring	a) All locally installed accessories shall be color coded, loomed and properly secured. Splicing in any factory harness is unacceptable. All electrical power for locally supplied electrical components to be supplied from an OEM power distribution box.	_____
		b) All joining of wires and electrical connectors shall be soldered and sealed with heat shrink tubing. All wiring for work lights and warning lights shall be supplied with no exposed wiring.	_____
9.49	LED lighting	All lighting LED, state .	_____
9.50	Slow moving sign	Grote 71152 or equivalent with bracket mounted to rear.	_____

TIRES, RIMS, FENDERS

9.51	Tires	Tire appropriate for use on gravel pad with thicker hard cut resistant rubber.	_____
9.52	Tread	Snow design style tread, front and rear.	_____
9.53	Tire size	Approx. 23.5R25 L3, state size.	_____
9.54	Make and model of tires	State . _____	_____
9.55	Rims	3-piece design.	_____
9.56	Fenders	Front and rear, rubber or polymer, with anti-skid tape on step surfaces where applicable. State , material.	_____

AXLES, STEERING & BRAKES

9.57	Front axle	Electronic or hydraulic locking differential, State type.	_____
9.58	Rear axle	Electronic or hydraulic locking differential, State type.	_____
9.59	Rear axle	Semi-floating or oscillating rear axle	_____
9.60	Differential drain plugs	Magnetic.	_____
9.61	Brakes	4-wheel, hydraulic operated wet disk type.	_____
9.62	Parking brake	Spring applied and hydraulically released.	_____
9.63	Two control pedals	Accelerator pedal. Dual purpose pedal: transmission disconnect with braking.	_____

9.64	Steering	Articulated with approx. 35° articulations left and right of center, state.	_____
9.65	Articulating center pin components	State type.	_____
9.66	Operational Steering and Articulating Requirements	a) Steering and Articulation of the machine must be smooth, controlled and continuous, fully raised and loaded at engine idle speed. b) Steering wheel movement must be smooth, controlled and continuous fully raised and loaded engine speed. There shall be no erratic, pulsating or jerking movement of the steering wheel. c) Steering equipped with neutralizer valves or equivalent to prevent frame to frame contact at full articulation.	_____ _____ _____
9.67	Steering frame lock	Required.	_____

TRANSMISSION

9.68	Type	Shall have the capability of allowing the operator to select either automatic or manual shifting.	_____
9.69	Shift control	Single lever.	_____
9.70	Speeds forward	State number of speeds.	_____
9.71	Speeds reverse	State number of speeds.	_____
9.72	Power-shift	Shall have the capability of full power shift with torque converter.	_____

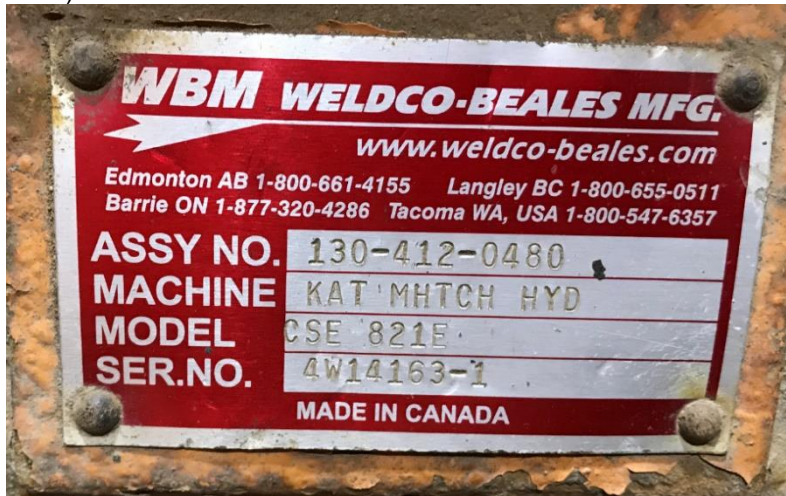
FRONT END LOADER

9.73	Breakout Force	Approx. 33,000 lbs. State.	_____
9.74	Tipping load straight	Approx. 30,000 lbs. State.	_____
9.75	Tipping load 40° turn	Approx. 26,000 lbs. State.	_____
9.76	Dumping clearance 45°	Approx. full height approx. 11ft.	_____
9.77	Hinge pin height fully raise	Approx. 13ft.	_____
9.78	Loader Controls	One dual function lever that provides lift and curl of the bucket. Automatic return-to-carry.	_____
9.79	Self-levelling bucket	With level indicator.	_____
9.80	Boom height control (kick-out)	Automatic, adjustable.	_____

- 9.81 Ride control system _____
 OEM system, ride control system shall be of the type that automatically engages or disengages, dependent on the machines ground speed.
- 9.82 Safety prop bar (if available) _____
 OEM approved.
- 9.83 Hydraulic fluid level indicator _____
 Required.
- 9.84 Auxiliary hydraulics _____
 For attachment growth, 3rd function valve.
- 9.85 Hydraulic quick coupler: _____

Welco Beales Quick Coupler (no substitutes) required for existing city attachment(s).

Example of coupler on current City owned wheel loaders (Assembly no. 130-412-0480).



ATTACHMENTS

Note: Attachments to be priced only as indicated on Form B: Prices Section C.

Attachments (Section C). Unit to have the following attachments

9.86	General purpose bucket	a) General Purpose (4.25 yd ³) WBM Quick Coupler hook on bucket with bolt on cutting edge. Bucket width to exceed machine width at tires. _____
		b) Cutting edge - bolt-on, heat treated steel, 1, 2 or 3 piece reversible blade acceptable, full width of bucket x 12 inch deep, Bucyrus or equal. _____
		c) Bottom wear plates - required to prevent bucket heel from rubbing on ground with bolt-on cutting edge in place. _____
		d) Side wear plates - bolt-on, replaceable, Bucyrus or equal. _____
		State: <ul style="list-style-type: none">• Make: _____• Model: _____• Part number: _____• Overall width: _____
9.87	Wood chip bucket	a) Approx. 10yd ³ WBM Quick Coupler hook on bucket with cutting edge. Bucket width to exceed machine width at tires. _____
		b) Cutting edge - bolt-on, heat treated steel, 1, 2 or 3 piece reversible blade acceptable, full width of bucket x 12 inch deep, Bucyrus or equal. _____
		c) Bottom wear plates - required to prevent bucket heel from rubbing on ground with bolt-on cutting edge in place. _____
		d) Side wear plates - bolt-on, replaceable, Bucyrus or equal. _____
		State: <ul style="list-style-type: none">• Make: _____• Model: _____• Part number: _____• Overall width: _____
9.88	Pallet Forks	Carriage and fork set with 48" tines State: <ul style="list-style-type: none">• Make: _____• Model: _____• Part number: _____• Overall width: _____

GREASING SYSTEM

9.89 Greasing system

NLGI-2 heavy-duty automatic lubrication system -System layout shall perform under the operating principles of a Parallel injection system (Progressive systems not acceptable). System shall be connected to all grease points, outfitted with automatic low level shut-off, with an in cab monitor showing system status such as low level, low pressure and/ or fault code display.

9.90 Pump reservoir

a) 8kg or larger pump reservoir (appropriate for the size of the machine) and required parameters preprogrammed to accommodate 500 hour service intervals. Pump must have correct filler adapter fitting for City of Winnipeg maintenance staff to refill reservoir.

b) Adapter fitting-Parker part# h2-63.

c) For safety reasons, access to refill the pump reservoir shall be via remote fill line of min. 3/8in. hose to accommodate a refill procedure at ground level.

9.91 Power input

System power connection 24-Volt to ignition source with an accessible fuse protection and for greasing system to shut down completely when the engine is turned off.

9.92 Grease lines

a) Main grease lines: Extreme Low temperature (example: Eaton Areo Quip Match Mate Global Ice SAE 100R16) steel braided rubber hose with compatibility to accommodate max working pressure of 6000psi. Each hose on all connected points outfitted with #4 JIC crimped or reusable ends.

b) Secondary grease lines: 1/8 in. ID braided hose with 6000psi working pressure or equivalent, with # 4 JIC crimped or reusable ends and must be installed and protected from extreme environments such as heat sources and components producing vibration.

c) In extreme environment areas such as the lower machine articulator pin, and front bucket pins, heavy wall pipe must be fitted.

9.93 Thread sealant

Applied to main and secondary grease lines of each fitting.

9.94 Greasing points

a) **State**, quantity of greasing points.

b) **State**, quantity of grease points that cannot be connected to the automatic lubrication system but will be connected with remote grease lines. Where remote lines are utilized, decals must be applied stating manual greasing is required with recommended grease application intervals.

9.95 Injector manifolds
All manifolds and injectors shall be brass construction and to be fitted with nylon lock nut hardware and securely mounted in an area away from debris impact. Special guards should be fitted for injector manifolds and hoses in areas of consistent debris impact, i.e., snow, ice, road spray, etc. _____

9.96 Environmental impact, over-greasing
The system layout and grease injector delivery shall not over-grease any component to the extent where OEM warranties are voided. In addition, environmental impact features shall be incorporated in the automatic lubrication system, i.e., no grease pumped while parked or leaving excessive grease on roadways. _____

OPERATOR CAB

9.97 Type-ROPS Roll-over protective structure complete with pressurized cab, OSHA certified or equal _____

9.98 Insulation and headliner For sound suppression and severe weather/climate. _____

9.99 Floor covering Rubber matting, throughout. _____

9.100 Seat Cushioned, adjustable bucket type with arm rests, cloth upholstery air suspension with retractable seat belt. _____

9.101 All Windows Tinted safety glass with appropriate markings for all panes and opening type where applicable. _____

9.102 Ignition keys Three (3) sets required per machine. _____

9.103 Left and right doors Lockable with common key. Door/window shall latch in fully opened position Complete with a full length ladder to provide safe exit if required. _____

9.104 Anti-theft system OEM installed. _____

9.105 Interior rear-view mirror Adjustable. _____

9.106 Exterior rear view mirrors One (1) each side. Heated with remote electric adjusting. _____

9.107 Windshield wipers Intermittent preferred, requires front and rear. _____

9.108 Windshield washers Front and rear. _____

9.109 Heater/defroster/pressurizer Heavy duty, hot water type with multi-speed fan and filtered air intake capable of keeping all windows clear at -40° C. _____

9.110 Steering wheel Tilt type. _____

9.111	Air conditioning	Factory installed with under hood compressor. (Note: roof mounted air conditioners are not acceptable).	_____
9.112	Steps	Open grate style.	_____
9.113	Toolbox	Lockable, state location.	_____
9.114	Instrumentation	Coolant temperature-gauge with audible alarm. Engine oil pressure- gauge or warning light with audible alarm. Engine hour meter-non resettable type. Tachometer. Fuel gauge.	_____
9.115	Sun shades	Front and rear fold down style.	_____
9.116	Rear view camera	OEM installed with guard protection to minimize damage risk.	_____
9.117	Steps and hand rails	To provide access to windshield.	_____
9.118	Self-cleaning steps	For safe entry and exit.	_____
9.119	Noise Level, interior	85 dB(A), measured in accordance with SAE J336, state noise level.	_____
9.120	Fire extinguisher	Ten (10) lbs. High volume ABC type, State location.	_____

MISCELLANEOUS

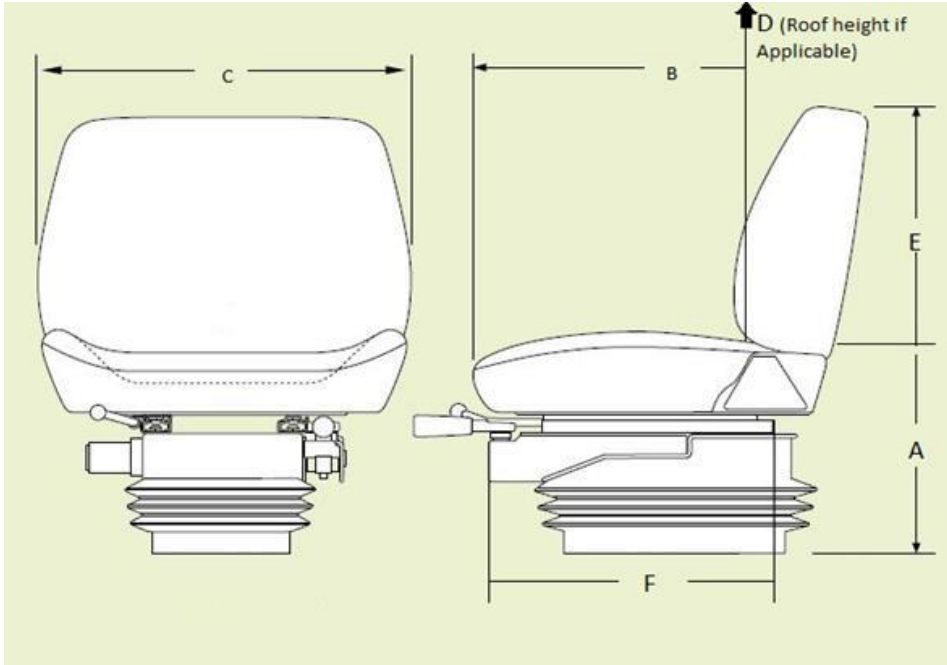
9.121	Rear bumper/counter with Drawbar hitch with pin		_____
-------	---	--	-------

10.0 OPERATOR STATION ERGONOMICS

Entry/ Exit

10.1	First step entry height	State , height of first step in inches.	_____
10.2	First handhold entry height	State , first handhold entry height in inches.	_____
10.3	Access to equipment	State , door opening height in inches.	_____
10.4	Access to equipment	State , door opening width in inches.	_____
10.5	Designed to prevent slipping	Anti-slip steps/handholds (Y or N)?	_____

Seat (use below diagram to answer questions)



- | | | | |
|-------|---|---|-------|
| 10.6 | Sitting height range from floor (where feet rest) (A) | State , seat height range in inches. | _____ |
| 10.7 | Seat length/depth (B) | State , seat length/depth in inches. | _____ |
| 10.8 | Seat width (C) | State , seat width in inches. | _____ |
| 10.9 | Cab height from seat to roof (if applicable) (D) | State , cab height range in inches. | _____ |
| 10.10 | Back rest height (E) | State , back rest height in inches. | _____ |
| 10.11 | Seat travel range (F) | State , seat travel in inches. | _____ |
| 10.12 | Lumbar support | Is lumbar support provided (Y or N)? | _____ |
| 10.13 | Head rest | Is head rest provided (Y or N)? | _____ |
| 10.14 | Seat is made of breathable material | State , type of seat material. | _____ |

Operation

- | | | | |
|-------|--|--|-------|
| 10.15 | Reaching distance to usual work | State , reaching distance in inches. | _____ |
| 10.16 | Maximum reaching distance | State , maximum reach distance in inches. | _____ |
| 10.17 | Adjustable pedals (accelerator/brake/clutch) | Are pedals adjustable (Y or N)? | _____ |
| 10.18 | Adjustable steering wheel | Is steering wheel adjustable (Y or N)? | _____ |
| 10.19 | Adjustable shoulder belt | Is belt adjustable and anchored (Y or N)? | _____ |

11.0 **WARRANTY**

11.1 All warranty information shall be detailed and include all exclusions. The Contractor shall provide all published warranty information upon delivery of the equipment. Bidder shall state all warranty information. _____

11.2 Basic coverage **State:** _____

11.3 Power train **State:** _____

11.4 Hydraulics warranty **State:** _____

11.5 Batteries warranty **State:** _____

11.6 Tires warranty **State:** _____

11.7 Electrical warranty **State:** _____

11.8 Cab structure/corrosion **State:** _____

11.9 Greasing System **State:** _____

12.0 **DELIVERY**

12.1 Delivery Point: The complete unit shall be serviced, ready for operation and delivered F.O.B. with the freight prepaid, including invoice and N.I.V.S. (if applicable) to the WFMA 185 Tecumseh Street, Winnipeg MB. The successful bidder shall be notified by the Contractor Administrator the delivery address prior to issuance of the purchase order. _____

12.2 Delivery Time: **Twelve (12) Calendar Weeks** from the date of award. Equipment shall be delivered between 8:00 am and 2:00 pm on Business Days. _____

12.3 Delivery Contact: The Contractor shall contact the Contract Administrator prior to delivery of the equipment. _____

12.4 P.D.I: A pre-delivery inspection shall be performed by the Contractor on the equipment. Proof upon inspection including completed check list. _____

13.0 **MANUALS**

13.1 Manuals supplied under this contract shall cover the complete equipment including all components thereof, CD or USB flash drive is preferred where available. _____

13.2 The following manuals shall be supplied with the units when delivered:

a) Operator's manual – Two (2) per unit (one operator manual shall be sent to the Equipment Operator Training Branch _____

b) Parts and service manuals – one (1) complete sets including preventative maintenance schedules. CDs or USB flash drive are preferred. _____

14.0 **FIRST SERVICE PREVENTATIVE MAINTENANCE KIT**

14.1 In order to assure minimum downtime of the equipment in future service, the Contractor shall provide one (1) complete replacement set of new OEM filters for each unit purchased. The set of required filters shall include (if applicable to the equipment type) air, fuel, oil, cab and hydraulic, or otherwise all known necessary common replacement filters required for the first preventative maintenance servicing. _____

14.2 The Contractor shall provide a list of factory recommended lubricants to be used with the equipment, as well as a complete cross reference guide for all warranty approved lubricants and filters that can be used during preventative maintenance servicing. _____

15.0 **PARTS/LABOUR PRICING**

15.1 Bidder to provide City of Winnipeg Parts Discount % Pricing from retail parts pricing. **State percentage discount-** _____

15.2 Bidder to provide City of Winnipeg Labor Discount % Pricing from Retail shop labor rate. **State percentage discount-** _____

FORM N: DETAILED SPECIFICATIONS 21008 (SECTION D)

FRONT END WHEEL LOADER (3.25YD³)

1.0 INSTRUCTIONS FOR COMPLETION OF SPECIFICATIONS

- 1.1 All items in these specifications should be answered indicating compliance or non-compliance.
- 1.2 **Bidders shall state “yes” for compliance or state “deviation”,** or give a reply where requested to do so. Deviations and/or equivalents shall be clearly stated and fully detailed. Deviations and/or equivalents will be considered subject to evaluation. In every instance where a brand name or design specifications is used, the City will also consider deviations and/or equivalents.
- 1.3 Lengthy explanations of deviations may be included in a separate document and must reference the appropriate Detailed Specification.
- 1.4 Each Bidder is required to fill in every blank. Failure to do so may be used as a basis for rejection of bid.
- 1.5 It will be the responsibility of the Bidder to inform the City of any errors or omissions in these Detailed Specifications, for under this Contract, the Contractor shall be held responsible to ensure that the manufacturer will be responsible for the design, performance, reliability and satisfactory operational function of the unit.

2.0 DESCRIPTION OF EQUIPMENT

- 2.1 These specifications describe **Front End Wheel Loader** and other equipment and features as specified herein.
- 2.2 The **Front End Wheel Loader** shall be a new 2021 model year or newer.
- 2.3 The **Front End Wheel Loader** and all other items/components shall be the manufacturer's latest model. The equipment shall be furnished complete and ready for operation. Any parts or accessories not specifically mentioned, but which are required to complete and place the equipment and associated attachments in successful operation shall be furnished as though specifically mentioned in these specifications. The equipment and associated attachments, and all parts thereof, shall conform in strength and quality of material and workmanship, to the best standards and engineering practice of the industry.
- 2.4 The **Front End Wheel Loader** shall be the manufacturer's latest model, as may be modified by these specifications. The **Front End Wheel Loader**, including all auxiliary equipment, shall be furnished complete and ready for use. All parts not specifically mentioned but which are required for the complete unit shall conform in strength, quality of material and workmanship, to the best standards and engineering practice in the industry.
- 2.5 The ratings specified herein merely state the minimum values acceptable to the City, not implying that those values are sufficient for the design of the particular equipment being bid.

3.0 OTHER SPECIFICATIONS AND STANDARDS

- 3.1 All applicable SAE Standards form an integral part of the vehicle specifications and shall have precedence in any conflict concerning minimum acceptable standards.
- 3.2 The **Industrial Tractor Loader backhoe** shall comply with the applicable regulations:

Transport Canada, National Safety Mark, NSM: <http://www.tc.gc.ca/eng/acts-regulations/acts-road.htm>

Manitoba Safety and Health Regulation, Parts 12, 16, 22: <https://web2.gov.mb.ca/laws/statutes/ccsm/w210e.php>

Canadian Motor Vehicle Safety Standards C.M.V.S.S. http://laws-lois.justice.gc.ca/eng/regulations/C.R.C.,_c._1038/section-sched3.html

Manitoba Highway Traffic Act regulations and requirements including, but not limited to, a Manitoba Government Inspection with Safety Sticker. <http://web2.gov.mb.ca/laws/regqs/index.php?act=h60>

Canadian Standards Association, CSA: <http://www.csagroup.org/>

Under Writers of Canada, U/L: <http://www.ulc.ca/>

Society of Automotive Engineers, SAE: <http://www.sae.org/>

City of Winnipeg Lighting Visibility Standard: <http://winnipeg.ca/matmgt/pdfs/PublicWorksEquipLightingVisibility.pdf>

Manitoba Building Code: <https://web2.gov.mb.ca/laws/regs/current/pdf-regs.php?reg=31/2011>

- 3.3 All welding and welding designs of the load supporting elements shall conform to the requirements of the Canadian Standards Association Standard (CSA) W47.1-03 and W59-03.

4.0 REFERENCES

- 4.1 Provide five (5) references where this equipment is used in a working environment where climatic conditions are similar to the City of Winnipeg.

5.0 MAKE & MODEL

- 5.1 State year, make and model being bid: _____

6.0 PERFORMANCE RELIABILITY

- 6.1 The responsibility for the design of the **Front End Wheel Loader**, its performance and reliability shall rest upon the Contractor.

- 6.2 The term “repeated failures” as used herein is defined to mean that the same component, subassembly, or assembly develops repeated defects, breakdowns and/or malfunctions rendering the vehicle inoperative, or requiring repeated shop correction, service and/or replacement during the warranty period applicable for said component, subassembly, of assembly. Minor items or ordinary service adjustments are not included, or considered under the scope of “repeated failures”, as well as other factors, such as operational damage due to accidents, misuse or lack of proper maintenance, service and lubrication attention by not following the manufacturer’s preventative maintenance schedule.

- 6.3 Where the **Front End Wheel Loader** develops “repeated failures” in service, the Contractor shall make any necessary engineering changes, repairs, alterations or modifications in order to guarantee reliability of performance.

- 6.4 The equipment shall be capable of consistent top performance in City of Winnipeg Environment. Note: The City of Winnipeg has four seasons with ambient temperatures ranging from approximately 90°F (32°C) to -40°F (-40°C).

7.0 FUEL

- 7.1 Where applicable, all equipment must be fully fueled upon delivery (no exceptions).

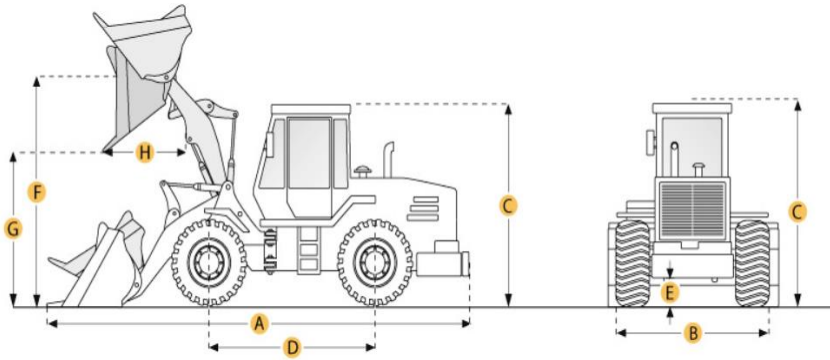
8.0 QUALIFICATIONS OF MANUFACTURER & CONTRACTOR

- 8.1 The manufacturer of the **Front End Wheel Loader** shall have five (5) years continuous experience manufacturing the equipment.

- 8.2 The manufacturer shall have in effect a documented quality control program ensuring that the quality of materials and workmanship, including welding, conforms to the best standards and engineering practice of the industry.

- 8.3 The Contractor shall have five (5) years continuous experience servicing, repairing and maintaining **Front End Wheel Loader** of the type being offered.

9.0 SPECIFICATIONS:



DIMENSIONS

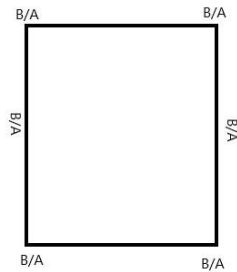
- 9.1 Loader type Articulating. _____
- 9.2 Overall transport length (A) **State.** _____
- 9.3 Width: over tires (B) **State.** _____
- 9.4 Overall height (top of cab) (C) **State.** _____
- 9.5 Wheelbase (D) **State.** _____
- 9.6 Ground clearance (E) **State.** _____
- 9.7 Hinge pin height (F) **State.** _____
- 9.8 Dump clearance at max raise at 45° (G) **State.** _____
- 9.9 Reach at max lift and dump 45°(H) **State.** _____
- 9.10 Operating weight (as bid) Approx. 26,000 – 29,000 lbs., **state** weight. _____

ENGINE

- 9.11 Engine make & model **State.** _____
- 9.12 Engine specification Diesel, Emissions Tier IV Final, must meet current Emission Standards. _____
- 9.13 Horse power Approx. Net 135-160HP, **state.** _____
- 9.14 Torque Net torque, approx. 500-600 lb-ft, **state.** _____
- 9.15 Engine aspiration **State.** _____
- 9.16 Fuel shut off Electric solenoid type. _____
- 9.17 Fuel Filter With water separator. _____
- 9.18 Oil filter Full flow, spin-on type. _____
- 9.19 Air cleaner Dry two-stage cartridge type with restriction indicator and pre-cleaner. _____
- 9.20 Throttle Hand operated with foot override. _____

9.21	Exhaust	Muffler with exhaust pipe, vertical discharge with bend and 40° cut-off (rain cap unacceptable).	_____
9.22	Coolant	Extended life, protected to -40° C.	_____
9.23	Engine block heater	Approx. 1000 Watts, 120VAC.	_____
9.24	Cold weather starting aid	Glow plugs or air intake warmer, state type.	_____
9.25	Automatic De-rating or equivalent for exceeding system parameters	Shall provide visual and audible warning of principal machine systems including engine oil pressure, low fuel pressure and coolant temperature. Shall provide the ability for the operator to move the machine to a safe location where the machine will not pose a threat to the operator or the public. OEM approved only.	_____
9.26	Programmable anti-idling system	For carbon emission, reduction/fuel consumption.	_____
9.27	Oil sampling valves	For engine, transmission and hydraulic system.	_____
9.28	Engine side covers	Hinged (if lockable, all locks must be keyed alike).	_____
9.29	Fuel tank	State capacity.	_____
<u>ELECTRICAL/ LIGHTING/ SAFETY</u>			
9.30	Type	24-Volt, negative ground electrical system.	_____
9.31	Electric starter	With key starter switch.	_____
9.32	Starter switch	Key type or keyless type with security code, state .	_____
9.33	Batteries	Dual batteries, 2000 CCA combined capacity.	_____
9.34	Battery disconnect switch (lockable)	Protected from the elements. Switch to be lockable with pad lock.	_____
9.35	Alternator	Approx. 110 Amp, state capacity.	_____
9.36	Combined stop and tail lights	Two (2). LED.	_____
9.37	Signal lights with warning flashers	Two (2) front and two (2) rear, LED.	_____
9.38	Warning flashers	Operable with key removed.	_____
9.39	Headlights	Two (2).	_____

9.40	Working lights (heavy duty)	a) Front- two (2) front mounted, adjustable, mounted near to pivot of loader lift arm. b) Rear-two (2) rear mounted, adjustable.	_____ _____
9.41	Light switches	Independent on/off switch for each pair of work lights, dash mounted, wired through ignition, labeled with permanent type, engraved style labels.	_____
9.42	Cab interior light	Interior light with door switch(s) and master switch.	_____
9.43	Radio	AM/FM/CD or MP3.	_____
9.44	Radio installation provision	12 volt, 20Amp spade/independent circuit available at a spare circuit breaker, suitable for installation of a 2-way mobile radio.	_____
9.45	Horn	Operable from driving position.	_____
9.46	Safety lighting Full set of Manitoba Highways provincially approved highway lights (wigwag lights).	One Blue and 1amber located on all four corners and 1 blue and1amber on each side of the cab roof flush mounted (6 blue 6 amber lights total). Make model: Whelen TIR3, SAE Class 1, 360 degree visibility. Wired through ignition, lights shall be wired for separate amber and separate blue labelled independently "winter", "off", "summer". The winter mode will turn on both blue and amber, the summer will only turn on the amber lights.	_____ _____



9.47	Beacon guard	Ramped, heavy duty bolt on metal guard, designed to permit servicing of beacon without being removed.	_____ _____
9.48	Back-up alarm	97 dB, factory installed, mounted to be protected from damage.	_____

9.49	Wiring	a) All locally installed accessories shall be color coded, loomed and properly secured. Splicing in any factory harness is unacceptable. All electrical power for locally supplied electrical components to be supplied from an OEM power distribution box.	_____
		b) All joining of wires and electrical connectors shall be soldered and sealed with heat shrink tubing. All wiring for work lights and warning lights shall be supplied with no exposed wiring.	_____
9.50	LED lighting	All lighting LED, state .	_____
9.51	Slow moving sign	Grote 71152 or equivalent with bracket mounted to rear.	_____

TIRES, RIMS, FENDERS

9.52	Tires	Tire appropriate for use on streets with thicker hard cut resistant rubber.	_____
9.53	Tread	Snow design style tread, front and rear.	_____
9.54	Tire size	Approx. 20.5R25 L3, state size.	_____
9.55	Make and model of tires	State ._____	_____
9.56	Rims	3-piece design.	_____
9.57	Fenders	Front and rear, rubber or polymer, with anti-skid tape on step surfaces where applicable. State , material.	_____

AXLES, STEERING & BRAKES

9.58	Front axle	Electronic or hydraulic locking differential, State type.	_____
9.59	Rear axle	Electronic or hydraulic locking differential, State type.	_____
9.60	Rear axle	Semi-floating or oscillating rear axle	_____
9.61	Differential drain plugs	Magnetic.	_____
9.62	Brakes	4-wheel, hydraulic operated wet disk type.	_____
9.63	Parking brake	Spring applied and hydraulically released.	_____
9.64	Two control pedals	Accelerator pedal. Dual purpose pedal: transmission disconnect with braking.	_____

9.65	Steering	Articulated with approx. 35° articulations left and right of center, state.	_____
9.66	Articulating center pin components	State type.	_____
9.67	Operational Steering and Articulating Requirements	a) Steering and Articulation of the machine must be smooth, controlled and continuous, fully raised and loaded at engine idle speed. b) Steering wheel movement must be smooth, controlled and continuous fully raised and loaded engine speed. There shall be no erratic, pulsating or jerking movement of the steering wheel. c) Steering equipped with neutralizer valves or equivalent to prevent frame to frame contact at full articulation.	_____ _____ _____
9.68	Steering frame lock	Required.	_____

TRANSMISSION

9.69	Type	Shall have the capability of allowing the operator to select either automatic or manual shifting.	_____
9.70	Shift control	Single lever.	_____
9.71	Speeds forward	State number of speeds.	_____
9.72	Speeds reverse	State number of speeds.	_____
9.73	Power-shift	Shall have the capability of full power shift with torque converter.	_____

FRONT END LOADER

9.74	Breakout Force	Approx. 20,000 lbs. State.	_____
9.75	Tipping load straight	Approx. 24,000 lbs. State.	_____
9.76	Tipping load 40° turn	Approx. 20,000 lbs. State.	_____
9.77	Dumping clearance 45°	Approx. full height approx. 10-11ft.	_____
9.78	Hinge pin height fully raise	Approx. 12-13ft.	_____
9.79	Loader Controls	One dual function lever that provides lift and curl of the bucket. Automatic return-to-carry.	_____
9.80	Self-levelling bucket	With level indicator.	_____
9.81	Boom height control (kick-out)	Automatic, adjustable.	_____

9.82	Ride control system	OEM system, ride control system shall be of the type that automatically engages or disengages, dependent on the machines ground speed.	_____
9.83	Safety prop bar (if available)	OEM approved.	_____
9.84	Hydraulic fluid level indicator	Required.	_____
9.85	Auxiliary hydraulics	For attachment growth, 3 rd function valve.	_____

9.86 Hydraulic quick coupler:

Welco Beales Quick Coupler (no substitutes) required for existing city attachment(s).

Example of couplers on current City owned wheel loaders (Assembly no. 130-411-0484, 107-429-0041 and 143-403-0934).



ATTACHMENTS

Note: Attachments to be priced only as indicated on Form B: Prices Section D.

Attachments (Section D). 3 Units to have the following attachments

- | | | |
|------|------------------------|---|
| 9.87 | General purpose bucket | <ul style="list-style-type: none"> a) General Purpose (Approx. 3 yd³) WBM Quick Coupler hook on bucket with bolt on cutting edge. Bucket width to exceed machine width at tires. _____ b) Cutting edge - bolt-on, heat treated steel, 1, 2 or 3 piece reversible blade acceptable, full width of bucket x 12 inch deep, Bucyrus or equal. _____ c) Bottom wear plates - required to prevent bucket heel from rubbing on ground with bolt-on cutting edge in place. _____ d) Side wear plates - bolt-on, replaceable, Bucyrus or equal. _____ |
| | | <p>State:</p> <ul style="list-style-type: none"> • Make: _____ • Model: _____ • Part number: _____ • Overall width: _____ |

GREASING SYSTEM

- | | | |
|------|-----------------|---|
| 9.88 | Greasing system | <p>NLGI-2 heavy-duty automatic lubrication system -System layout shall perform under the operating principles of a Parallel injection system (Progressive systems not acceptable). System shall be connected to all grease points, outfitted with automatic low level shut-off, with an in cab monitor showing system status such as low level, low pressure and/ or fault code display. _____</p> |
| 9.89 | Pump reservoir | <ul style="list-style-type: none"> a) 6kg or larger pump reservoir (appropriate for the size of the machine) and parameters preprogrammed required to accommodate 500 hour service intervals. Pump must have correct filler adapter fitting for City of Winnipeg maintenance staff to refill reservoir. _____ b) Adapter fitting-Parker part# h2-63. _____ c) For safety reasons, access to refill the pump reservoir shall be via remote fill line of min. 3/8in. hose to accommodate a refill procedure at ground level. _____ |

9.90	Power input	System power connection 24-Volt to ignition source with an accessible fuse protection and for greasing system to shut down completely when the engine is turned off.	_____
9.91	Grease lines	a) Main grease lines: Extreme Low temperature (example: Eaton Areo Quip Match Mate Global Ice SAE 100R16) steel braided rubber hose with compatibility to accommodate max working pressure of 6000psi. Each hose on all connected points outfitted with #4 JIC crimped or reusable ends. b) Secondary grease lines: 1/8 in. ID braided hose with 6000psi working pressure or equivalent, with # 4 JIC crimped or reusable ends and must be installed and protected from extreme environments such as heat sources and components producing vibration. c) In extreme environment areas such as the lower machine articulator pin, and front bucket pins, heavy wall pipe must be fitted.	_____ _____ _____
9.92	Thread sealant	Applied to main and secondary grease lines of each fitting.	_____
9.93	Greasing points	a) State , quantity of greasing points. b) State , quantity of grease points that cannot be connected to the automatic lubrication system but will be connected with remote grease lines. Where remote lines are utilized, decals must be applied stating manual greasing is required with recommended grease application intervals.	_____ _____
9.94	Injector manifolds	All manifolds and injectors shall be brass construction and to be fitted with nylon lock nut hardware and securely mounted in an area away from debris impact. Special guards should be fitted for injector manifolds and hoses in areas of consistent debris impact, i.e., snow, ice, road spray, etc.	_____
9.95	Environmental impact, over-greasing	The system layout and grease injector delivery shall not over-grease any component to the extent where OEM warranties are voided. In addition, environmental impact features shall be incorporated in the automatic lubrication system, i.e., no grease pumped while parked or leaving excessive grease on roadways.	_____
<u>OPERATOR CAB</u>			
9.96	Type-ROPS	Roll-over protective structure complete with pressurized cab, OSHA certified or equal	_____
9.97	Insulation and headliner	For sound suppression and severe weather/climate.	_____

9.98	Floor covering	Rubber matting, throughout.	_____
9.99	Seat	Cushioned, adjustable bucket type with arm rests, cloth upholstery air suspension with retractable seat belt.	_____
9.100	All Windows	Tinted safety glass with appropriate markings for all panes and opening type where applicable.	_____
9.101	Ignition keys	Three (3) sets required per machine.	_____
9.102	Left and right doors	Lockable with common key. Door/window shall latch in fully opened position Complete with a full length ladder to provide safe exit if required.	_____
9.103	Anti-theft system	OEM installed.	_____
9.104	Interior rear-view mirror	Adjustable.	_____
9.105	Exterior rear view mirrors	One (1) each side. Heated with remote electric adjusting.	_____
9.106	Windshield wipers	Intermittent preferred, requires front and rear.	_____
9.107	Windshield washers	Front and rear.	_____
9.108	Heater/defroster/pressurizer	Heavy duty, hot water type with multi-speed fan and filtered air intake capable of keeping all windows clear at -40° C.	_____
9.109	Steering wheel	Tilt type.	_____
9.110	Air conditioning	Factory installed with under hood compressor. (Note: roof mounted air conditioners are not acceptable).	_____
9.111	Steps	Open grate style.	_____
9.112	Toolbox	Lockable, state location.	_____
9.113	Instrumentation	Coolant temperature-gauge with audible alarm. Engine oil pressure- gauge or warning light with audible alarm. Engine hour meter-non resettable type. Tachometer. Fuel gauge.	_____
9.114	Sun shades	Front and rear fold down style.	_____
9.115	Rear view camera	OEM installed with guard protection to minimize damage risk.	_____
9.116	Steps and hand rails	To provide access to windshield.	_____
9.117	Self-cleaning steps	For safe entry and exit.	_____
9.118	Noise Level, interior	85 dB(A), measured in accordance with SAE J336, state noise level.	_____

9.119 Fire extinguisher Ten (10) lbs. High volume ABC type, **State** location. _____

MISCELLANEOUS

9.120 Rear bumper/counter with Drawbar hitch with pin _____

10.0 OPERATOR STATION ERGONOMICS

Entry/ Exit

10.1 First step entry height **State**, height of first step in inches. _____

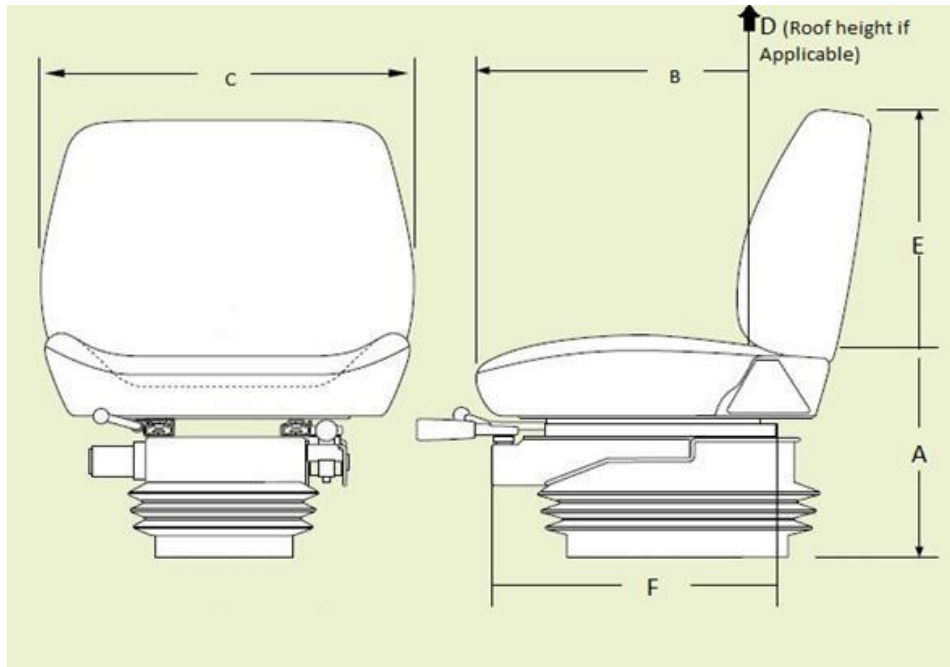
10.2 First handhold entry height **State**, first handhold entry height in inches. _____

10.3 Access to equipment **State**, door opening height in inches. _____

10.4 Access to equipment **State**, door opening width in inches. _____

10.5 Designed to prevent slipping Anti-slip steps/handholds (**Y or N**)? _____

Seat (use below diagram to answer questions)



10.6 Sitting height range from floor (where feet rest) (A) **State**, seat height range in inches. _____

10.7 Seat length/depth (B) **State**, seat length/depth in inches. _____

10.8 Seat width (C) **State**, seat width in inches. _____

10.9 Cab height from seat to roof (if applicable) (D) **State**, cab height range in inches. _____

10.10 Back rest height (E) **State**, back rest height in inches. _____

- 10.11 Seat travel range (F) **State**, seat travel in inches. _____
- 10.12 Lumbar support Is lumbar support provided (**Y or N**)? _____
- 10.13 Head rest Is head rest provided (**Y or N**)? _____
- 10.14 Seat is made of breathable material **State**, type of seat material. _____

Operation

- 10.15 Reaching distance to usual work **State**, reaching distance in inches. _____
- 10.16 Maximum reaching distance **State**, maximum reach distance in inches. _____
- 10.17 Adjustable pedals (accelerator/brake/clutch) Are pedals adjustable (**Y or N**)? _____
- 10.18 Adjustable steering wheel Is steering wheel adjustable (**Y or N**)? _____
- 10.19 Adjustable shoulder belt Is belt adjustable and anchored (**Y or N**)? _____

11.0 WARRANTY

- 11.1 All warranty information shall be detailed and include all exclusions. The Contractor shall provide all published warranty information upon delivery of the equipment. Bidder shall state all warranty information. _____
- 11.2 Basic coverage **State:** _____
- 11.3 Power train **State:** _____
- 11.4 Hydraulics warranty **State:** _____
- 11.5 Batteries warranty **State:** _____
- 11.6 Tires warranty **State:** _____
- 11.7 Electrical warranty **State:** _____
- 11.8 Cab structure/corrosion **State:** _____
- 11.9 Greasing System **State:** _____

12.0 DELIVERY

- 12.1 Delivery Point: The complete unit shall be serviced, ready for operation and delivered F.O.B. with the freight prepaid, including invoice and N.I.V.S. (if applicable) to the WFMA 185 Tecumseh Street, Winnipeg MB. The successful bidder shall be notified by the Contractor Administrator the delivery address prior to issuance of the purchase order. _____
- 12.2 Delivery Time: **Twelve (12) Calendar Weeks** from the date of award. Equipment shall be delivered between 8:00 am and 2:00 pm on Business Days. _____
- 12.3 Delivery Contact: The Contractor shall contact the Contract Administrator prior to delivery of the equipment. _____

12.4 P.D.I: A pre-delivery inspection shall be performed by the Contractor on the equipment. Proof upon inspection including completed check list. _____

13.0 **MANUALS**

13.1 Manuals supplied under this contract shall cover the complete equipment including all components thereof, CD or USB flash drive is preferred where available. _____

13.2 The following manuals shall be supplied with the units when delivered:

a) Operator's manual – Two (2) per unit (one operator manual shall be sent to the Equipment Operator Training Branch _____

b) Parts and service manuals – one (1) complete sets including preventative maintenance schedules. CDs or USB flash drive are preferred. _____

14.0 **FIRST SERVICE PREVENTATIVE MAINTENANCE KIT**

14.1 In order to assure minimum downtime of the equipment in future service, the Contractor shall provide one (1) complete replacement set of new OEM filters for each unit purchased. The set of required filters shall include (if applicable to the equipment type) air, fuel, oil, cab and hydraulic, or otherwise all known necessary common replacement filters required for the first preventative maintenance servicing. _____

14.2 The Contractor shall provide a list of factory recommended lubricants to be used with the equipment, as well as a complete cross reference guide for all warranty approved lubricants and filters that can be used during preventative maintenance servicing. _____

15.0 **PARTS/LABOUR PRICING**

15.1 Bidder to provide City of Winnipeg Parts Discount % Pricing from retail parts pricing. **State percentage discount-** _____

15.2 Bidder to provide City of Winnipeg Labor Discount % Pricing from Retail shop labor rate. **State percentage discount-** _____